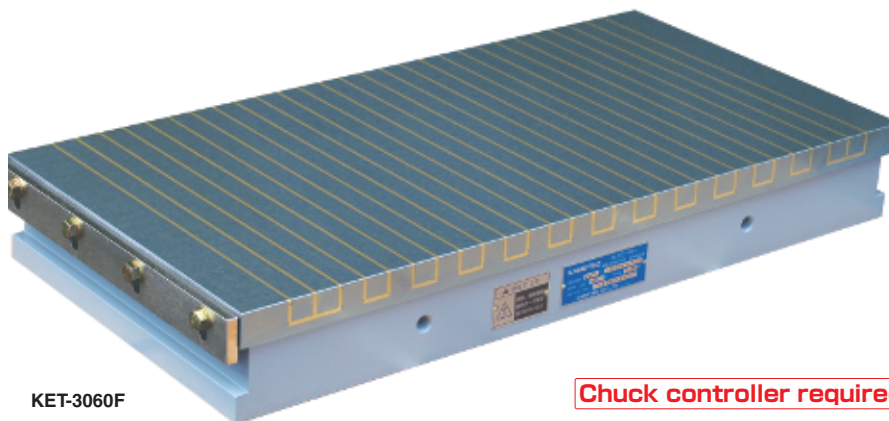


Model **KET**

STANDARD RECTANGULAR ELECTROMAGNETIC CHUCK

Environmentally friendly



KET-3060F

Chuck controller required additionally

[Application]

Most widely used electromagnetic chucks for grinding operations.

[Features]

■ High rigidity, high reliability and high accuracy!

KANETEC's original machining technology is used to realize a lavish body-to-case one piece hollow construction, instead of a welded construction, to enhance the rigidity, minimize secular change and improve accuracy of the chucks.

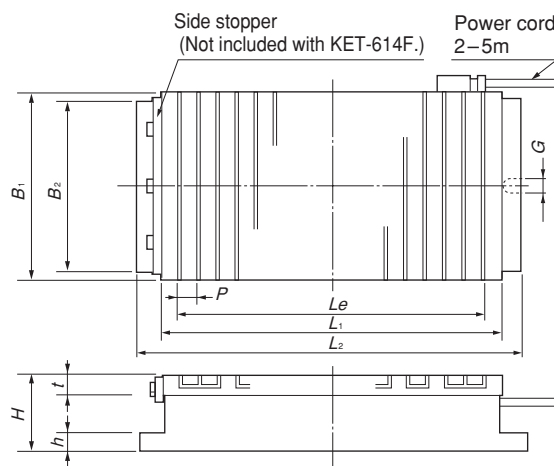
■ KANETEC's original light weight design!

The chuck weight has been reduced as much as possible in consideration of driving the table of grinders. This design helps contribute to a longer service life of grinders.

■ Simple thin type yet strong holding power!

The chucks have been designed as low as possible to increase a workpiece mounting space on the grinder. The overall height is as short as 70 mm to 80 mm for small and medium types and 85 mm for large types, thus various types of workpieces can be held. Though thin, KANETEC's original design to secure an electromagnetic coil space ensures strong holding power.

■ Resin-bonded structural face plate having little environmental burden employed!



[mm (in)]

Model	Nominal Size	Work Face				Pole Pitch	Mounting Face			Height	Mounting Hole	Voltage	Current	Power Cord	Mass	Electro Chuck Master	Remarks
		B ₁	L ₁	t	L _e		P	B ₂	L ₂								
KET- 614F	60(2.36) × 140(5.51)	63(2.48)	140(5.51)	13(0.51)	106(4.17)	8(2+6)(0.31)	60(2.36)	170(6.69)	12(0.47)	67(2.63)	8	0.12A	2m(78.7)	3.5kg/ 7 lb			
KET- 1025F	100(3.93) × 250(9.84)	100(3.93)	250(9.84)		211(8.30)	11(2+9)(0.43)	96(3.78)	294(11.5)			10	0.16A		12kg/ 26 lb			
KET- 1325F	125(4.92) × 250(9.84)	125(4.92)			212(8.34)		119(4.68)					0.19A		15kg/ 33 lb			
KET- 1530F	150(5.90) × 300(11.8)		300(11.8)		240(9.44)			344(13.5)				0.20A		21kg/ 46 lb			
KET- 1535F	150(5.90) × 350(13.7)	150(5.90)	350(13.7)		296(11.6)		144(5.66)	394(15.5)	18(0.70)	70(2.75)	14	0.22A		25kg/ 55 lb			
KET- 1545F	150(5.90) × 450(17.7)		450(17.7)	20(0.78)	408(16.0)	14(2+12)(0.55)		494(19.4)				0.29A		32kg/ 70 lb			
KET- 2040F	200(7.87) × 400(15.7)		400(15.7)		352(13.8)			444(17.4)				0.43A		38kg/ 83 lb			
KET- 2050F	200(7.87) × 500(19.6)	200(7.87)	500(19.6)		464(18.2)		194(7.63)	544(21.4)				0.34A		47kg/ 103 lb			
KET- 2060F	200(7.87) × 600(23.6)		600(23.6)		548(21.5)			600(23.6)				0.47A		57kg/ 125 lb			
KET- 2550F	250(9.84) × 500(19.6)		500(19.6)		451(17.7)		240(9.44)	500(19.6)				0.56A		67kg/ 147 lb			
KET- 2560F	250(9.84) × 600(23.6)	250(9.84)	600(23.6)		529(20.8)			600(23.6)		80(3.15)		0.72A	3m(118)	80kg/ 176 lb	ES-M103B	For types with a combination of a rectifier and demagnetizer, see pages of "Chuck Controllers." P17-P20	
KET- 3050F	300(11.8) × 500(19.6)		500(19.6)		451(17.7)		290(11.4)	500(19.6)				0.68A		94kg/ 207 lb	ES-M305B		
KET- 3060F	300(11.8) × 600(23.6)	300(11.8)	600(23.6)		529(20.8)			600(23.6)				1.06A		145kg/ 319 lb	EH-V305A		
KET- 3090F	300(11.8) × 900(35.4)		900(35.4)		841(33.1)			900(35.4)				1.22A	5m(196)	145kg/ 319 lb	EH-VE305A		
KET- 4050F	400(15.7) × 500(19.6)		500(19.6)		451(17.7)			500(19.6)				0.96A		114kg/ 251 lb			
KET- 4060F	400(15.7) × 600(23.6)		600(23.6)		529(20.8)		390(15.3)	600(23.6)				1.09A	3m(118)	137kg/ 302 lb			
KET- 4080F	400(15.7) × 800(31.5)		800(31.5)		724(28.5)			800(31.5)				1.42A		182kg/ 401 lb			
KET-40100F	400(15.7) × 1000(39.4)		1000(39.4)		958(37.7)	19.5(2.5+17)(0.76)		1000(39.4)	20(0.78)			1.74A	5m(196)	228kg/ 502 lb			
KET- 5050F	500(19.6) × 500(19.6)		500(19.6)	25(0.98)	451(17.7)			500(19.6)				0.93A		142kg/ 313 lb			
KET- 5060F	500(19.6) × 600(23.6)		600(23.6)		529(20.8)		490(19.2)	600(23.6)		85(3.34)		1.06A	3m(118)	171kg/ 377 lb			
KET- 5065F	500(19.6) × 650(25.5)		650(25.5)		607(23.9)			650(25.5)				1.30A		185kg/ 407 lb			
KET-50100F	500(19.6) × 1000(39.4)		1000(39.4)		958(37.7)			1000(39.4)				1.71A	5m(196)	285kg/ 628 lb			
KET- 6060F	600(23.6) × 600(23.6)		600(23.6)		529(20.8)			600(23.6)				1.48A	3m(118)	205kg/ 451 lb			
KET-60100F	600(23.6) × 1000(39.4)	600(23.6)	1000(39.4)		958(37.7)		590(23.2)	1000(39.4)				3.10A	5m(196)	342kg/ 754 lb	Above models except for the one marked by ※.		
KET- 7075F	700(27.5) × 750(29.5)	700(27.5)	750(29.5)		685(26.9)		690(27.1)	750(29.5)				2.87A	3m(118)	299kg/ 659 lb			
KET-80100F	800(31.5) × 1000(39.4)	800(31.5)	1000(39.4)		958(37.7)		790(31.1)	1000(39.4)				4.23A	5m(196)	456kg/ 1005 lb			

※If the magnetic force needs not be adjusted, use ES-M. ※The chuck controller and clamp parts are not included. The KANETEC chucks work best when a KANETEC chuck controller is used. ※Except for KET-614F, only the side stopper is included. (The back stopper is not included.) ※Chucks for electric discharge machining are also available. Please contact us. (Model KET-ED)

ELECTROMAGNETIC CHUCKS
CHUCK CONTROLLERS
PERMANENT ELECTROMAGNETIC CHUCKS
PERMANENT ELECTROMAGNETIC CHUCKS
BLOCKS FOR MC
VACUUM CHUCKS
PROMELTA* SYSTEM
SINE BAR CHUCKS
BLOCKS, HOLDERS, MINI CHUCKS
HOLDING TOOLS
MEASURING TOOL HOLDERS
MAGNETIC HOLDERS
MAGNETIC TOOLS