

Model **CMR-DL** CHANGEABLE PERMANENT MAGNETIC CHUCK FOR CEMENTED CARBIDE

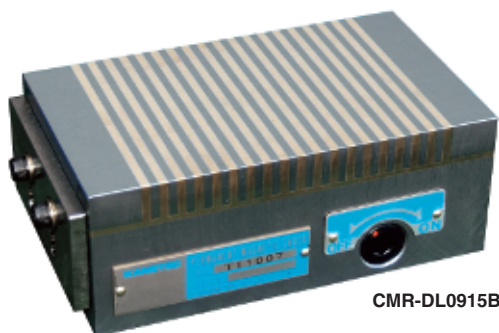
Long-awaited compact type!

[Application]

These chucks are designed for grinding workpieces of materials having relatively weak magnetic properties such as cemented carbide on small grinders.

[Features]

- The ON-OFF handle turning angle has been reduced to improve the handle operability significantly.
- The holding performance has been enhanced by improving the pole pitch.
- Residual magnetism has been reduced by employing a unique construction. (CMR-DL1319B)
- The effective attractive face area relative to the external dimensions has been increased 30% over the conventional model. (CMR-DL0915B)



CMR-DL0915B

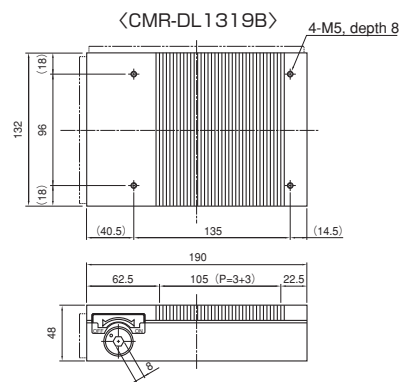
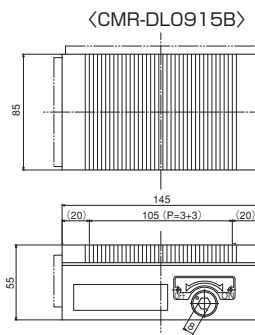
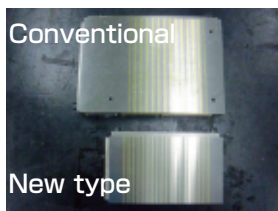


CMR-DL1319B



CMR-DW1319

Comparison of magnetic poles with conventional model



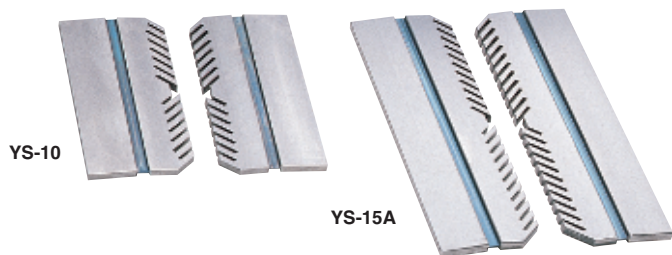
Model	Nominal Size	Height	Pole Pitch	Effective Pole Width	Holding Power※	Handle Select Angle	Mass	Features
CMR-DL0915B	85(3.34) × 145(5.70)	55(2.16)	6(3+3) 0.23(0.11+0.11)	105(4.13)	162N	90°	4.5kg/9.92 lb	Compact
CMR-DL1319B	132(5.19) × 190(7.48)	48(1.89)	4(2+2) 0.15(0.07+0.07)	106(4.17)	175N	60°	9kg/19.8 lb	Standard
CMR-DW1319			8(4+4) 0.31(0.15+0.15)	100(3.94)	190N			Fine
CMR-DS1319			200N	120°	Powerful			

The holding power is based on a test piece of □50 × t25 carbide (G5). ※As for the handle, a dedicated handle is included.

Magnetic Chuck Accessory Products

Model **YS** WORK SUPPORTER*

Nonmagnetic workpiece supporter



Model	Dimensions			Mass
	Length	Width	Thickness	
YS-10	100(3.93)	45(1.77)	4(0.15)	100g/0.22 lb × 2
YS-15A	150(5.90)			165g/0.36 lb × 2

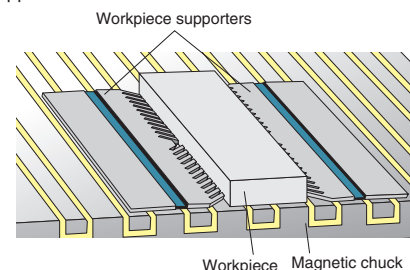
※For all models, two pieces make one set.

[Application]

These supporters can hold materials having weak magnetic properties such as carbide and materials such as aluminum, brass and stainless steel which cannot be held by magnetic chucks. They are held by a strong spring force on both sides and secured to the magnetic chuck.

[Features]

- These supporters are thin and therefore can be used for relatively thin workpieces.
- One set consists of two supporters.



ELECTROMAGNETIC CHUCKS
CHUCK CONTROLLERS
PERMANENT ELECTROMAGNETIC CHUCKS
BLOCKS FOR MC
VACUUM CHUCKS
PROMELTA* SYSTEM
SINE BAR CHUCKS
BLOCKS, HOLDERS, MINI CHUCKS
HOLDING TOOLS
MEASURING TOOL HOLDERS
MAGNETIC HOLDERS
MAGNETIC TOOLS