

**Model EP-QZ SUPER POWERFUL PERMANENT ELECTROMAGNETIC CHUCK FOR LONG WORKPIECE**

Environmentally friendly

Chuck controller required additionally



EP-QZ8-1550A  
An example of special fabrication

[Features]

- The gap characteristic is superior to that of the current Model EP-QN/ QS. These chucks are suitable for workpieces that have poor flatness and require large holding power.
- These chucks replace conventional hydraulic and mechanical clamping to reduce the setup time and improve productivity.
- The magnetic poles are arranged according to shapes and length of workpieces such as rails. Securing blocks specially designed according to workpiece shapes are also available.
- A type with a separator made of brass is also available.

Model	Max. Holding Power per Pole	Pole Size	No. of Poles	Features	Electro Chuck Master
EP-QZ8-15100A	□75 (□2.95) 750kgf	□75 (□2.95)	5	Single type	EPS-P2100B
EP-QZW-30100A	□50 (□1.96) 300kgf	□75 (2.95) + □50 (1.96)	10 (□75) + 14 (□50)	Double type	EPS-P2100B-2

※The chuck controller and clamp parts are not included. ※The KANETEC chucks work best when a KANETEC chuck controller is used.  
 ※Turning the permanent electromagnetic chucks on and off must be limited to once per several minutes. If on/off operations are repeated frequently, the chucks may be damaged by overheat.

**Model EP-D DEMAGNETIZING FUNCTION-EQUIPPED PERMANENT ELECTROMAGNETIC CHUCK FOR CUTTING**

**Strong holding power and good release performance realized!**

Environmentally friendly

Power saving

Minimal heat generation

Chuck controller required additionally



EP-D3060

[Application]

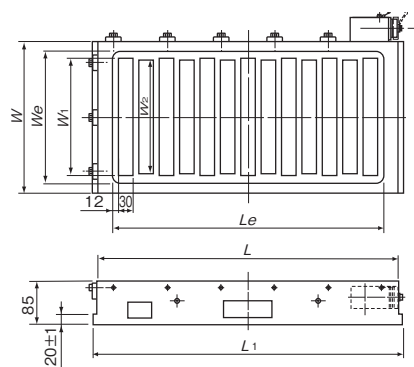
Used for securing workpieces during cutting by milling machines, machining centers, etc.

[Features]

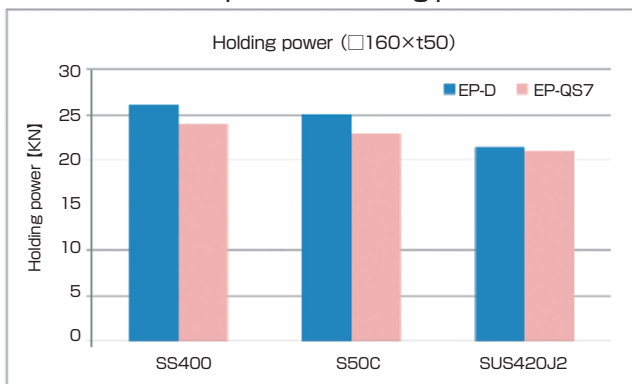
- A coil dedicated to demagnetization has significantly improved the workpiece release performance when the chuck is turned off.
- The magnetic pole arrangement to concentrate magnetism on the workpiece provides strong holding power.
- Hardened steel and special steel workpieces having large residual magnetism can be released quicker than the conventional chucks.
- Electricity is used only when mounting and demounting workpieces, thus minimal heat is generated and electricity is saved.
- Can be used in wet operations.

Model	Work Face		Dimensions				Mounting Face	Mass	Electro Chuck Master
	W	L	W <sub>e</sub>	L <sub>e</sub>	W <sub>1</sub>	W <sub>2</sub>	L <sub>1</sub>		
EP-D 3060	304 (11.9)	618 (24.3)	264 (10.3)	558 (21.9)	240 (9.44)	232 (9.13)	638 (25.1)	110kg/242 lb	EPS-D2100A
EP-D 4080	404 (15.9)	786 (30.9)	364 (14.3)	726 (28.5)	340 (13.3)	332 (13.0)	806 (31.7)	185kg/407 lb	
EP-D50100	504 (19.8)	1038 (40.8)	464 (18.2)	978 (38.5)	440 (17.3)	432 (17.0)	1058 (41.6)	305kg/672 lb	EPS-D2100A-2
EP-D60100	604 (23.7)		564 (22.2)		240 (9.44) × 2	232 (9.13) × 2		365kg/804 lb	

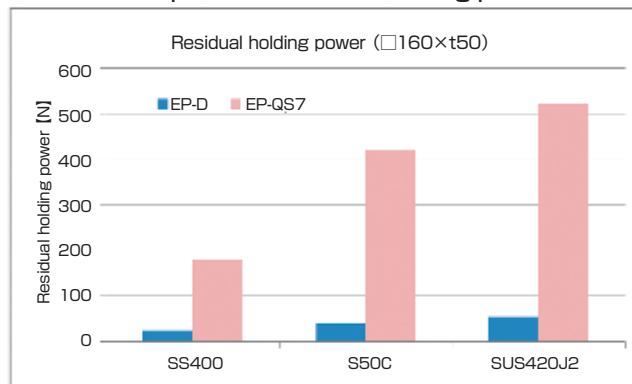
※Turning the permanent electromagnetic chucks on and off must be limited to once per several minutes. If on/off operations are repeated frequently, the chucks may be damaged by overheat.



Comparison of holding power



Comparison of residual holding power



ELECTROMAGNETIC CHUCKS  
 CHUCK CONTROLLERS  
 PERMANENT ELECTROMAGNETIC CHUCKS  
 PERMANENT ELECTROMAGNETIC CHUCKS  
 BLOCKS FOR MC  
 VACUUM CHUCKS  
 PROMELTA\* SYSTEM  
 SINE BAR CHUCKS  
 BLOCKS, HOLDERS, MINI CHUCKS  
 HOLDING TOOLS  
 MEASURING TOOL HOLDERS  
 MAGNETIC HOLDERS  
 MAGNETIC TOOLS