

PERMANENT ELECTROMAGNETIC CHUCKS

Model EP-DV POWERFUL PERMANENT ELECTROMAGNETIC CHUCK WITH VACUUM FUNCTION

Hybrid chuck to handle diversified materials!

Environmentally friendly

Power saving

Minimal heat generation

Chuck controller and vacuum system required additionally

[Application]

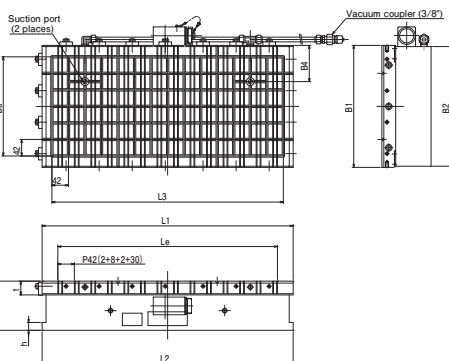
Permanent electromagnetic chucks for cutting equipped with a grid-seal type vacuum chuck function added to hold workpieces during cutting and grinding of magnetic and nonmagnetic workpieces.

[Features]

- The strong holding power makes these chucks suitable for cutting of magnetic materials.
- Electricity is used only when mounting and demounting workpieces, thus minimal heat is generated and electricity is saved.
- Since these chucks have a construction dedicated to demagnetization, they have good workpiece release performance when they are turned off.
- The vacuum chuck can be set to a desired area by use of seal rubber according to workpieces.
- When machining nonmagnetic workpieces, the permanent electromagnetic feature can be utilized to hold magnetic substances around them to secure them firmly.



EP-DV3060



An example of milling by utilizing the permanent electromagnetic feature



An example of grinding of brass by utilizing the permanent electromagnetic feature

Model	Nominal Size	Work Face					Pole Pitch	Mounting Face			Height	Grid Pitch	Effective Area B ₃ × L ₃	Mass	Electro Chuck Master	Applicable Vacuum System	
		B ₁	L ₁	L _e	t	B ₄		B ₂	L ₂	h							
EP-DV 3060	300 (11.8) × 600 (23.6)	310 (12.2)	638 (25.1)	558 (21.9)		92 (3.62)	42 (2+8+2+30) (1.65)	304 (11.9)	638 (25.1)		125 (4.92)	42 (1.65) × 42 (1.65)	252 (9.9) × 588 (23.1)	170kg/ 374lb	EPS-D2100A	VPU-EG VPU-E10 VPU-D20	
EP-DV 4080	400 (15.7) × 800 (31.5)	410 (16.1)	806 (31.7)	726 (28.5)	35 (1.37)	79 (3.11)		404 (15.9)	806 (31.7)	20 (0.78)			378 (14.8) × 756 (29.7)				280kg/ 617lb
EP-DV50100	500 (19.6) × 1000 (39.4)	510 (20.0)	1058 (41.6)	978 (38.5)		87 (3.42)		504 (19.8)	1058 (41.6)				462 (18.1) × 1008 (39.6)				450kg/ 992lb

※The chuck controller, vacuum system and clamp parts are not included. ※The KANETEC chucks work best when a KANETEC chuck controller is used.
 ※Turning the permanent electromagnetic chucks on and off must be limited to once per several minutes. If on/off operations are repeated frequently, the chucks may be damaged by overheat.

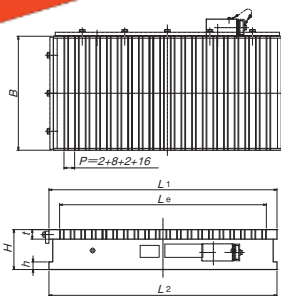
Model EP-DWM POWERFUL PERMANENT ELECTROMAGNETIC CHUCK FOR HEAVY DUTY CUTTING

Chuck controller required additionally

Strong magnetic force & good release performance & high water-tightness!



EP-DWM3060



[Application]

Suitable for such precision machining of relatively large load as heavy duty grinding and cutting and for securing workpieces having steps such as linear motion guides.

[Features]

- Capable of holding relatively small workpieces, workpieces having a small attractive area and concave workpieces.
- The addition of a construction dedicated to demagnetization has improved the workpiece release performance when the chuck is turned off.
- Hardened steel and special steel workpieces having large residual magnetism can be released quickly.
- Electricity is supplied momentarily for mounting and demounting workpieces, thus minimal heat is generated and electricity is saved.
- The chucks can be used in wet operations and have improved water-tightness.
- A resin-bonded structural face plate having little environmental burden is employed.

Environmentally friendly

Power saving

Minimal heat generation

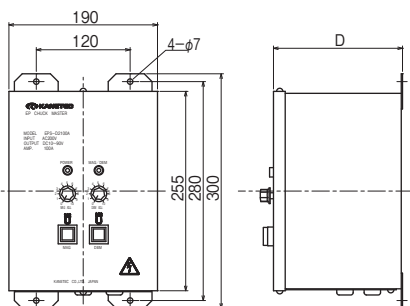
Model	Work Face				Pole Pitch	Mounting Face		Height	Mass	Electro Chuck Master
	B	L ₁	L _e	t		L ₂	h			
EP-DWM2050	200 (7.87)	490 (19.2)	432 (17.0)		25 (0.98)	490 (19.2)	20 (0.78)	105 (4.13)	70kg/154 lb	EPS-D2100A
EP-DWM3060	300 (11.8)	600 (23.6)	544 (21.4)			600 (23.6)			125kg/275 lb	
EP-DWM4080	400 (15.7)	820 (32.2)	768 (30.2)			820 (32.2)			230kg/507 lb	

※The chuck controller, vacuum system and clamp parts are not included. ※The KANETEC chucks work best when a KANETEC chuck controller is used.
 ※Turning the permanent electromagnetic chucks on and off must be limited to once per several minutes. If on/off operations are repeated frequently, the chucks may be damaged by overheat.

Model EPS-D CHUCK MASTER* DEDICATED TO DEMAGNETIZING FUNCTION-EQUIPPED PERMANENT ELECTROMAGNETIC CHUCK



EPS-D2100A



[Application]

A chuck controller dedicated to permanent electromagnetic chucks equipped with a demagnetizing function.

Model	EPS-P2100A	EPS-P2100A-2
Dimensions (W × H × D)	190 (7.48) × 165 (6.5) × 255 (10.0)	190 (7.48) × 200 (7.87) × 255 (10.0)
Power Source	Single-phase, 200 VAC 50/60 Hz	
Output capacity	10 VDC - 90 VDC pulse 100 A	
Output switchover	No switchover	2
Magnetizing time (approx.) · demagnetizing time (approx.)	1 sec./4 sec.	3 sec./6 sec.
Breaker capacity (ref.)	30A	
Mass	7.5kg (16.5)	8kg (17.6)