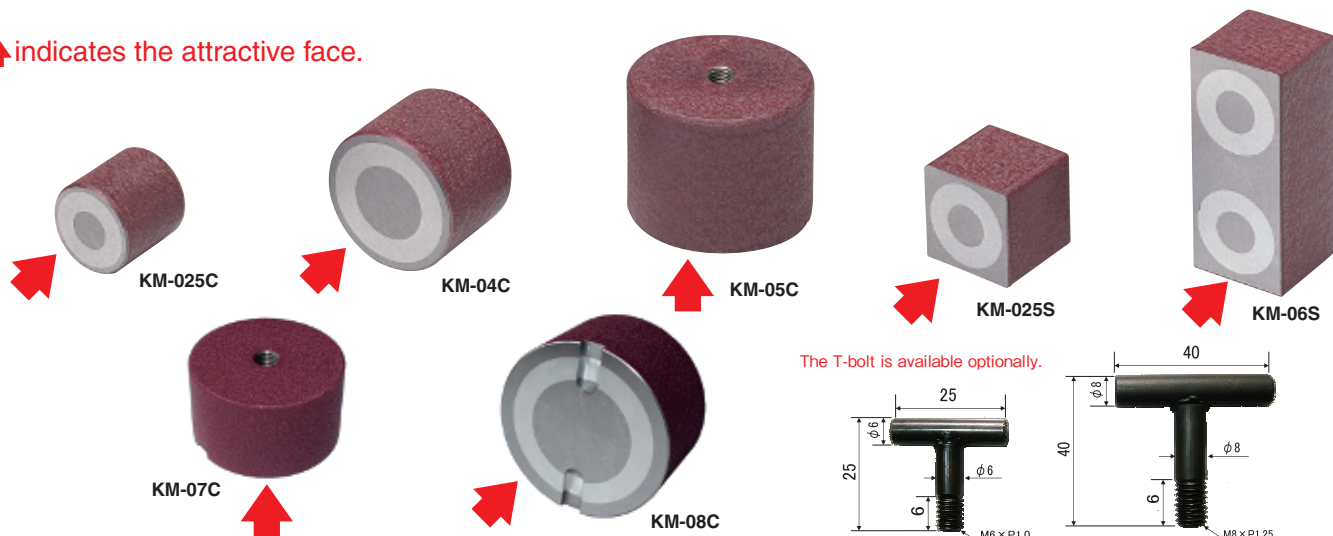


MAGNETIC HOLDERS

Model KM PERMANENT MAGNETIC HOLDER

↑ indicates the attractive face.



The T-bolt is available optionally.

For KM-025C, 03C, 06S

For KM-04C, 05C

[mm (in)]

Painting specification

Model	OD × Height	Holding Power	Surface Treatment	Mounting Tapped Hole	Workable Range				Upper Limit of Working Temp.	Tapping	Mass
					D ₁	D ₂	H ₁	H ₂			
KM-025C	φ26 (1.02) × 25 (0.98)	100N (10kgf)	Painting	M 6 (0.23), depth 8 (0.31) pitch 1.0 (0.03)	26 (1.02)	25 (0.98)	25 (0.98)	17 (0.66)	Type C (See page 79)	Provided.	90g/0.19 lb
KM-03C	φ30 (1.18) × 25 (0.98)	150N (15kgf)			30 (1.18)	27 (1.06)					121g/0.26 lb
KM-04C	φ40 (1.57) × 30 (1.18)	300N (30kgf)		M 8 (0.31), depth 12 (0.47) pitch 1.25 (0.04)	40 (1.57)	36 (1.41)	30 (1.18)	20 (0.78)			260g/0.57 lb
KM-05C	φ50 (1.96) × 40 (1.57)	500N (50kgf)			50 (1.96)	46 (1.81)					545g/1.20 lb
KM-07C	φ70 (2.75) × 40 (1.57)	700N (70kgf)		M12 (0.47), depth 15 (0.59) pitch 1.75 (0.06)	70 (2.75)	60 (2.36)	40 (1.57)	25 (0.98)			1000g/2.20 lb
KM-08C	φ80 (3.14) × 45 (1.77)	1000N (100kgf)		M12 (0.47), depth 18 (0.70) pitch 1.75 (0.06)	80 (3.14)	66 (2.59)	45 (1.77)	27 (1.06)			1600g/3.52 lb
KM-025S	26 (1.02) × 26 (1.02) × 25 (0.98)	100N (10kgf)		None	26 (1.02)	25 (0.98)	25 (0.98)	15 (0.59)			118g/0.26 lb
KM-06S	26 (1.02) × 60 (2.36) × 25 (0.98)	200N (20kgf)	M6 (0.23), depth 10 (0.39) pitch 1.0 (0.03)	60 (2.36)				Prepared hole up to 11 deep on the rear face allowed.	275g/0.60 lb		

※The holding power is based on a test piece of SS400, 10 mm thick, ground surface.

Model KM-T-T HEAT-RESISTANT PERMANENT MAGNETIC HOLDER

↑ indicates the attractive face.

A heat-resistant type introduced to permanent magnetic holders!

[Application]

Most suitable as a securing fixture in workplaces where heat is generated such as ship building and welding sites. These holders can also be used to hold down drawings, rulers and small parts.

[Features]

- Heat resistance up to 350°C
- The tapped hole provided on the back widens a scope of use by assembling these holders to fixtures.

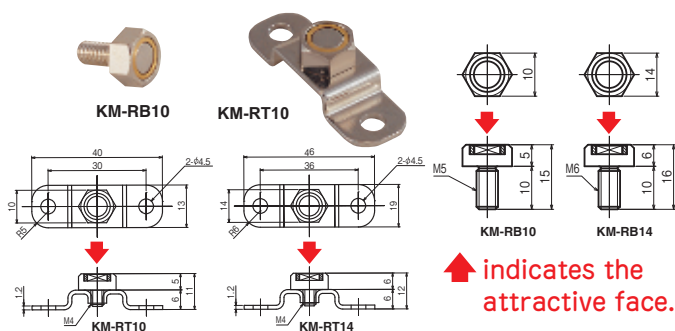
[mm (in)]

Model	OD × Height	Holding Power	Surface Treatment	Mounting Tapped Hole	Upper Limit of Working Temp.	Tapping	Mass
KM-T004T	φ40 (1.57) × 40 (1.57)	300N (30kgf)	Painting	M8 (0.31) depth 10 (0.39) pitch 1.25 (0.04)	Max. 350°C	Provided.	0.4kg/0.88 lb
KM-T005T	φ50 (1.96) × 45 (1.77)	500N (50kgf)					0.67kg/1.47 lb

※The holding power is based on a test piece of SS400, 10 mm thick, ground surface.

Model KM-RB HEXAGONAL PERMANENT MAGNETIC HOLDER (WITH MALE THREAD)

Model KM-RT HEXAGONAL PERMANENT MAGNETIC HOLDER (WITH PLATE)



[Application]

Used as a jig. Used for operations of conveying light weight workpieces in lines, etc.

[Features]

- The tip of the permanent magnetic holder is threaded, which enables the holder to be mounted in any place easily.
- When used in combination with the included plate, the holder can be mounted in places where a tapped hole cannot be made. (Model KM-RT)
- Since this holder has been nickel plated, it can be used under various circumstances.

Model	Holding Power	Mass	Model	Holding Power	Mass
KM-RB10	10N (1kgf)	5g/0.011 lb	KM-RT10	10N (1kgf)	10g/0.022 lb
KM-RB14	40N (4kgf)	10g/0.022 lb	KM-RT14	40N (4kgf)	18g/0.039 lb

※The holding power is based on a test piece of SS400, 10 mm thick, ground surface.

ELECTROMAGNETIC CHUCK CONTROLLERS : MAGNETIC CHUCKS : PERMANENT CHUCKS

BLOCKS FOR MC : VACUUM CHUCKS

PROMELTA*

SINE BAR : BLOCKS, HOLDERS, MINI CHUCKS

HOLDING TOOLS

MEASURING TOOL HOLDERS

MAGNETIC HOLDERS : MAGNETIC TOOLS