

MAGNETIC TOOLS

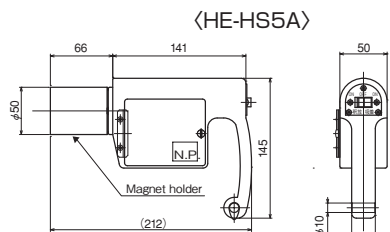
Model HE-H HANDY HOLDER

Transportation assist tool by use of battery-generated magnetic force

Useful for transportation of cut-out plates or waste materials at room temperature and for taking out small products!
Holding power and battery life improved significantly!



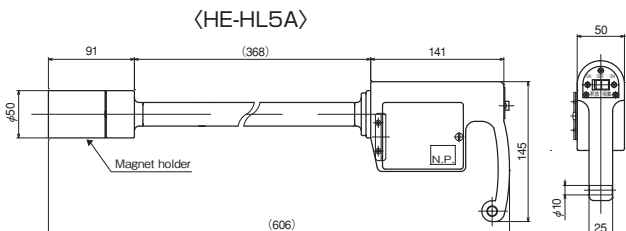
HE-HL5A



<HE-HS5A>



HE-HS5A



<HE-HL5A>

[Application]

These holders are used as a holding tool for moving and transporting cut-out plates or waste materials and taking out small products, etc. In addition, when cleaning areas around machine tools, if brushes are used, chips may be entangled and cleaning may not go smoothly. In such a case, these holders can be used to attract and remove them quickly.

[Features]

- Only with a small amount of electricity supplied by two D size alkaline batteries, strong holding power is achieved.
- These holders are of handy type which can be operated by one hand. They also do not have cord and therefore can be used in any places.
- Since these holders are of hybrid type (complex structure of permanent magnet and electromagnet), the held workpiece does not drop instantly when the batteries become dead, thus enhancing safety.
- The batteries can be replaced easily without a tool. Also, commercially available rechargeable batteries can be used.

Not heat-resistant, not water-tight



Model	Type	Max. Holding Power	Power Source	Working Rate	Mass
HE-HS5A	Short type	600N (60kgf)	D size battery × 2 (included)	50%ED	1.8kg/3.96 lb
HE-HL5A	Long type	600N (60kgf)	D size battery × 2 (included)	50%ED	2.5kg/5.51 lb

※The max. holding power is based on a test piece of SS400, 15 mm thick, ground surface, vertical pulling under the most favorable conditions. Therefore, the lifting capacity is normally a third or less of the max. holding power. If workpiece are tilted or a force is applied to the magnet in a separating direction, the lifting capacity will drop. ※The mass includes the batteries. ※This holder, even when attraction off, constantly generates holding power that is a third of the max. holding power at attraction on. However, the max. holding power at attraction off drops to 200 N (20 kgf). Exercise caution when using the holder.

Model SL TOUCHER



SL-1

[Application]

A simple transportation tool by use of a magnet.

[Features]

- Workpieces that are difficult to hold with hands can be carried by use of the quick attach/detach mechanism.
- Useful for temporarily holding down or positioning small pieces in welding work.
- Usable for a wide range of applications.

[mm (in)]

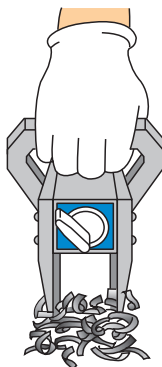
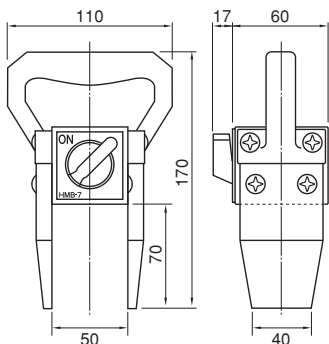
Model	Holding Power	Dimensions			Max. Height	Mass
		Width	Length	Height		
SL-1	500N (50kgf)	50 (1.96)	92 (3.62)	32 (1.26)	122 (4.80)	1kg/2.2 lb

※The holding power is based on a test piece of SS400, 10 mm thick, pulled in the vertical direction.

Model HMB HAND MAGNET



HMB-7



[Application]

This product is useful in wide applications such as in machine shops, casting factories, food and chemical factories, etc. for collecting iron chips, sorting screws by materials, collecting chips in cast sand, etc.

[Features]

- The magnetic force is turned ON/OFF easily with a handle.
- Compact and strong holding power.

<Specifications>

- Capacity: Milling chips about 0.2 kg
- M5 × 7 screws ... about 0.5 kg

Model	Holding Power	Mass
HMB-7	250N (25kgf)	1.9kg/4.20 lb

※The holding power is based on a test piece of SS400, 10 mm thick, ground surface.

ELECTROMAGNETIC CHUCK CONTROLLERS: PERMANENT MAGNETIC CHUCKS: PERMANENT MAGNETIC CHUCKS

BLOCKS FOR MC

VACUUM CHUCKS

PROMELTA* SYSTEM

SINE BAR CHUCKS

BLOCKS, HOLDERS, MINI CHUCKS

HOLDING TOOLS

MEASURING TOOL HOLDERS

MAGNETIC HOLDERS

MAGNETIC TOOLS