

**Model KF STEEL PLATE SEPARATOR "FLOATER"\***

**- Common specifications of KF types -**

**[Application]**

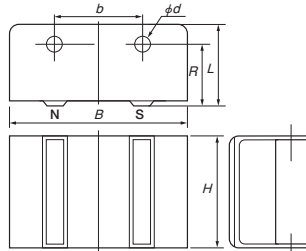
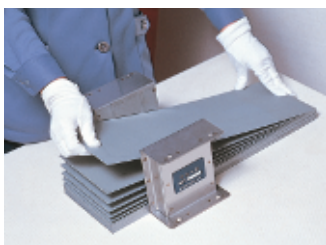
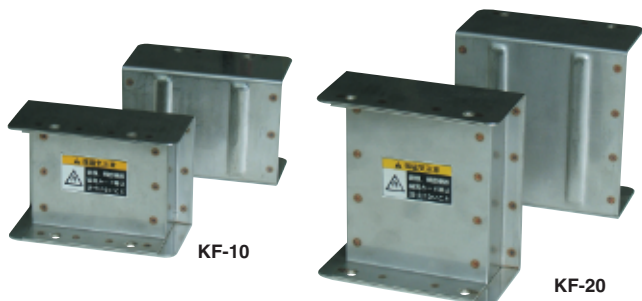
Suitable for separating stacked iron plates one by one and feeding them to machines (presses, shearing machines, etc.) and for installation as a separator at the take-out side for feeding steel plates one by one in the steel plate automatic feeding line.

For an example of usage, see page 87. 

**[Features]**

- The two rails on the magnetic polar surface automatically separate steel plates without requiring mechanical separating work.
- Not only steel plates but also semi-finished pressed workpieces, circular workpieces and irregularly shaped workpieces can be separated at certain intervals by use of several units of Floater.
- One set consists of two units. (KF-HC/KF-Q excluded)

**Model KF STANDARD FLOATER\***



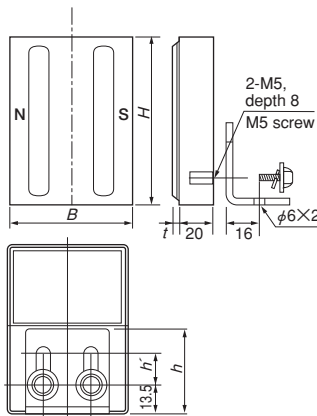
**[Features]**

- Standard type using a high-performance ferrite magnet. Can be mounted on machines easily and several units can be coupled according to size, shape and weight of steel plates.

A magnetic force ON/OFF type (electrical or air cylinder), which can separate steel plates one by one more smoothly than the standard type is also available. Please contact us.

Model	Dimensions				Mounting			Mass
	B	H	L	R	No. of holes	$\phi d$	b	
KF-5B	65 (2.55)	87 (3.42)	55.5 (21.8)	45.5 (1.79)	4	8 (0.31)	40 (1.57)	1.0kg/ 2.2 lb×2
		56 (2.20)	61.5 (2.42)	51.5 (2.02)			80 (3.15)	2.0kg/ 4.4 lb×2
KF-10	125 (4.92)	127 (5.00)	66.5 (2.61)	56.5 (2.22)			150 (5.90)	7.0kg/ 15 lb×2
KF-20	210 (8.26)	254 (10.0)	71.5 (2.81)	59.5 (2.34)			11 (0.43)	12.0kg/ 26 lb×2

**Model KF-T THIN FLOATER\***



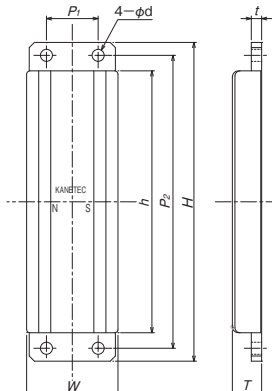
**[Features]**

- Thinner and smaller than the standard type, 20mm thick. This type can be mounted in a wide variety of locations, for example, direct mounting on a wall face or mounting with an L-shaped attachment.
- The mounting position is vertically adjustable when mounted with the included L-shaped attachment.

Model	Dimensions						Mass
	D	H	b	h	h'	t	
KF-T5A	62 (2.44)	87 (3.42)	25 (0.98)	30 (1.18)	10 (0.39)	1.0 (0.03)	0.7kg/ 1.5 lb×2
KF-T10	102 (4.01)	127 (5.00)	50 (1.96)	40 (1.57)	15 (0.59)	1.5 (0.05)	1.1kg/ 2.4 lb×2
KF-T20							1.6kg/ 3.5 lb×2

**Model KF-S SLIM POWERFUL FLOATER\***

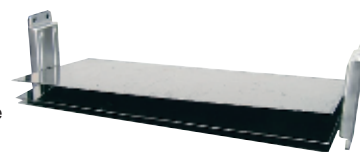
**Very slim and light weight!**



**[Features]**

- The employment of a powerful rare earth magnet has significantly reduced the thickness to only 17 mm and the weight, but offers the separating performance equivalent to that of the standard type.
- This type can be mounted in various places such as direct mounting on a wall face and mounting in a very narrow place.

An example of steel plate separation by KF-S10



Model	Dimensions							Mass
	W	h	P <sub>1</sub>	P <sub>2</sub>	$\phi d$	H	t	
KF-S10		98 (3.86)		115 (4.52)		130 (5.12)		0.56kg/ 1.23 lb×2
KF-S15	53 (2.09)	152 (5.98)	30 (1.18)	170 (6.69)	7 (0.28)	185 (7.28)	6 (0.24)	0.8 kg/ 1.76 lb×2
KF-S20		206 (8.11)		225 (8.86)		240 (9.45)		1.05kg/ 2.31 lb×2

ELECTROMAGNETIC CHUCKS  
CHUCK CONTROLLERS  
PERMANENT MAGNETIC CHUCKS  
PERMANENT ELECTROMAGNETIC CHUCKS  
BLOCKS FOR MC  
VACUUM CHUCKS  
PROMELTA\* SYSTEM  
SINE BAR CHUCKS  
BLOCKS, HOLDERS, MINI CHUCKS  
HOLDING TOOLS  
MEASURING TOOL HOLDERS  
MAGNETIC HOLDERS  
MAGNETIC TOOLS