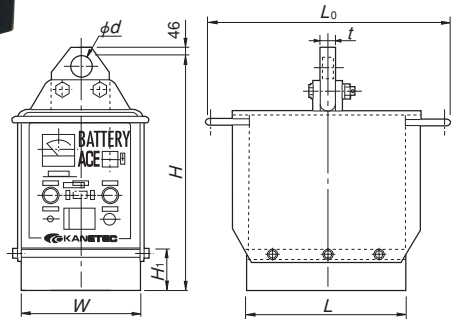




Lifted object automatic holding/releasing type

When two or more workpieces are held, workpieces that are held in an unstable state can be released by pressing the [SEPARATE] button so that the remaining workpieces can be transported safely.



LME-60ELJ

[Features]

- Model LME-60EWJ is recommended for wide and relatively thick steel plates up to 6 tons.
- Model LME-60ELJ is most suitable for steel plates that tend to warp as well as long steel plates and section steels.
- Auto/Manual can be selected with the operation switch. In the auto mode, an operation to repeat holding and releasing workpieces can be automated to enable the work to be conducted without remote input. (Holding and releasing repeated each time the Battery Ace touches down on the floor.)
- The pushbutton switch on the operation panel enables manual operation of lifted objects.
- The battery remaining capacity is clearly indicated on the 7-rank level meter. When the remaining capacity approaches the end, it is warned by the buzzer.
- The ammeter allows you to check the supply of electricity to the electromagnet.
- For the purchase of batteries, please contact us.



Precaution for use

- If an alarm is issued repeatedly, the life of the battery becomes shorter. Replace it with a charged battery at an early stage.
- Rust and scratches on the attractive face affect the holding power adversely. Repair it periodically.

Working rate 50% ED (Power on 5 minutes and pause 5 minutes)

Model	Lifting Capacity	Dimensions								Battery Capacity	Working Hours (50%ED)	Mass	Battery Charger	Charging Time	Accessories	
		W	L	L ₀	H (Touch down on floor-lifting)			H ₁	d							t
LME-60ELJ	6000kg/ 13230lb	270 (10.6)	900 (35.4)	1100 (43.3)	707 (27.8) – 717 (28.3)			159 (6.25)	118 (4.64)	60 (2.36)	12V, 28Ah 2 units in series	Max. 8 hours	Approx. 300kg/ 661.5 lb	Input 100 VAC Output 24 VDC	6-10h	Charger: 1 set Spare battery: 1 set
LME-60EWJ		450 (17.7)	540 (21.2)	740 (29.1)												

※The lifting capacity is indicated by a value that is a half of the max. holding power.

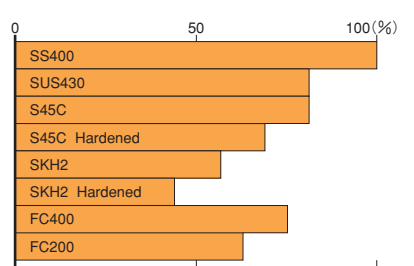
Steel plate lifting standard (Mill scale soft steel plate)

Plate thickness	Model	LME-10F, 10FJ			LME-17F, 17FJ			LME-30F, 30FJ			LME-60ELJ, 60EWJ		
		Square	×500	×1000	square	×1000	×2000	square	×1000	×2000			
6		□550 (21.6)	600 (23.6)	300 (11.8)	□1300 (51.1)	1600 (62.9)	800 (31.5)	□1400 (55.1)	1800 (70.8)	900 (35.4)	□1700 (66.9)	1000 (39.4) × 2500 (98.4)	2000 (78.7) × 1300 (51.1)
9		□650 (25.5)	800 (31.5)	400 (15.7)	□1500 (59.0)	2200 (86.6)	1100 (43.3)	□1650 (64.9)	2500 (98.4)	1200 (47.2)	□2000 (78.7)	1000 (39.4) × 3200 (125)	2000 (78.7) × 2000 (78.7)
12								□1750 (68.8)	2700 (106)	1300 (51.1)	□2200 (86.6)	1000 (39.4) × 4500 (177)	2000 (78.7) × 2500 (98.4)
16		□800 (31.5)	1100 (43.3)	600 (23.6)				□1800 (70.8)	3000 (118)	1600 (62.9)			
20		□900 (35.4)	1400 (55.1)	850 (33.4)	□1700 (66.9)	2800 (110)	1400 (55.1)						
25		□1100 (43.3)	2000 (78.7)	1200 (47.2)				□1850 (72.8)	3300 (129)	1700 (66.9)	□2400 (94.4)	1000 (39.4) × 5500 (216)	2000 (78.7) × 3000 (118)
30		□1000 (39.4)	1800 (70.8)	1000 (39.4)	□1600 (62.9)	2500 (98.4)	1300 (51.1)						
40		□950 (37.4)	1600 (62.9)	900 (35.4)	□1500 (59.0)	2300 (90.5)	1200 (47.2)	□1750 (68.8)	3000 (118)	1500 (59.0)			
50		□800 (31.5)	1200 (47.2)	600 (23.6)	□1300 (51.1)	1700 (66.9)	800 (31.5)	□1700 (66.9)	2700 (106)	1400 (55.1)			
100		□550 (21.6)	600 (23.6)	300 (11.8)	□900 (35.4)	850 (33.4)	450 (17.7)	□1200 (47.2)	1500 (59.0)	700 (27.5)	□1700 (66.9)	1000 (39.4) × 2700 (106)	2000 (78.7) × 1500 (59.0)

Section steel lifting standard

Model	Steel type	Angle Steel		I or H-shaped Steel		Channel Steel	
		Size	Length	Size	Length	Size	Length
LME-10F, 10FJ		75 (2.95) × 75 (2.95) × t 9 (0.35)	2000 (78.7)	100 (3.93) × 75 (2.95)	2500 (98.4)	100 (3.93) × 50 (1.96)	2000 (78.7)
		100 (3.93) × 100 (3.93) × t 10 (0.39)		150 (5.90) × 75 (2.95)		150 (5.90) × 75 (2.95)	
		150 (5.90) × 150 (5.90) × t 15 (0.59)		200 (7.87) × 150 (5.90)		200 (7.87) × 80 (6.14)	
		200 (7.87) × 200 (7.87) × t 20 (0.78)		300 (11.8) × 150 (5.90)		300 (11.8) × 90 (3.54)	
LME-17F, 17FJ		75 (2.95) × 75 (2.95) × t 9 (0.35)	3000 (118)	100 (3.93) × 75 (2.95)	4000 (157)	100 (3.93) × 50 (1.96)	3000 (118)
		100 (3.93) × 100 (3.93) × t 10 (0.39)		150 (5.90) × 75 (2.95)		150 (5.90) × 75 (2.95)	
		150 (5.90) × 150 (5.90) × t 15 (0.59)		200 (7.87) × 150 (5.90)		200 (7.87) × 80 (6.14)	
		200 (7.87) × 200 (7.87) × t 20 (0.78)		300 (11.8) × 150 (5.90)		300 (11.8) × 90 (3.54)	
LME-30F, 30FJ		75 (2.95) × 75 (2.95) × t 9 (0.35)	5000 (196)	100 (3.93) × 75 (2.95)	6000 (236)	100 (3.93) × 50 (1.96)	5000 (196)
		100 (3.93) × 100 (3.93) × t 10 (0.39)		150 (5.90) × 75 (2.95)		150 (5.90) × 75 (2.95)	
		150 (5.90) × 150 (5.90) × t 15 (0.59)		200 (7.87) × 150 (5.90)		200 (7.87) × 80 (6.14)	
		200 (7.87) × 200 (7.87) × t 20 (0.78)		300 (11.8) × 150 (5.90)		300 (11.8) × 90 (3.54)	

Difference in holding power by materials



Keep in mind that the capacity of the Lifma varies largely depending on the thickness and material of workpieces, clearance and other factors.