

Model **LME-M** BATTERY ACE\*



Controlled number of plates to lift

LME-60ELM

[Application]

This Battery Ace allows the magnetic force to be adjusted. Suitable for lifting one plate from stacked plates.

[Features]

- "ON" (forward) (weak), "OFF" and "REV" (reverse) can be selected easily with a switch.
- The magnetic force can be adjusted steplessly by while holding the WEAK pushbutton switch pressed, turning the magnetic force adjust knob.
- When the pushbutton switch is released after adjusting the number of plates, the strong excitation is automatically activated.
- All operations can also be performed remotely.

Working rate 50% ED (Power on 5 minutes and pause 5 minutes)



**Precaution for use**

Rust and scratches on the attractive face affect the holding power adversely. Repair it periodically.

[mm (in)]

Model	Lifting Capacity	Dimensions			Battery	Working Hours (50%ED)	Mass	Battery Charger	Charging Time	Accessories
		Attractive face	Height	Lifting ring ID						
LME-15FM	1500kg/ 3307 lb	280 (11.0) × 350 (13.7)	464 (18.2)	φ 60 (2.36)	12V, 28Ah	Max. 8 hours	100kg/220 lb	Input 100 VAC Output 12 VDC	10-15h	Remote operation switch (cable 3 m included) Spare battery: 1 set Charger: 1 set
LME-30FM	3000kg/ 6614 lb	280 (11.0) × 450 (17.7)	521 (20.5)				160kg/352 lb			
LME-60ELM	6000kg/13227 lb	270 (10.6) × 900 (35.4)	755 (29.7)	φ 118 (4.64)	12V, 28Ah 2 units in series		300kg/661 lb	Input 100 VAC Output 24 VDC	6-10h	

※The lifting capacity is indicated by a value that is a half of the max. holding power.

Model **LME-T** BATTERY ACE\*

2-point lifting



LME-20ETJ

[Application]

This Battery Ace, equipped with two swivel type magnets mounted on a beam at a 1000 mm interval, can lift long steel plates. This Battery Ace can follow warping of steel plates to transport them safely. Especially, it works well on thin steel sheets.

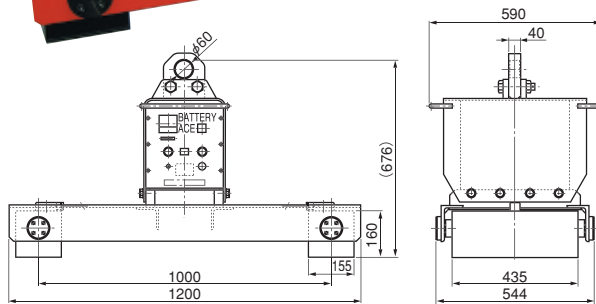
[Features]

- Suitable for transporting thin steel sheets.
- Capable of lifting steel sheets that are 30% to 100% longer than sheets lifted by the standard type Battery Ace.

An example of fabrication



[mm (in)]



**Precaution for use**

Rust and scratches on the attractive face affect the holding power adversely. Repair it periodically.

Plate Thickness	Square	Rectangular		Specified Length			
5-9	2000 (78.7) × 2000 (78.7)	1000 (39.4) × 3500 (137.8)	1500 (59.0) × 2700 (106.3)	914 (35.9) × 1829 (72.0) (Nominal 3 × 6)	1219 (47.9) × 2438 (95.9) (Nominal 4 × 8)	1524 (60.0) × 3048 (12.0) (Nominal 5 × 10)	
	10	2400 (94.5) × 2400 (94.5)	1500 (59.0) × 3500 (137.8)				
12	2500 (98.4) × 2500 (98.4)	1000 (39.4) × 4000 (157.5)	1500 (59.0) × 4000 (157.5)				
	14	2400 (94.5) × 2400 (94.5)	1500 (59.0) × 3500 (137.8)				
16-22	2200 (86.6) × 2200 (86.6)	1500 (59.0) × 3000 (118.0)					
25-32	2000 (78.7) × 2000 (78.7)	1000 (39.4) × 3500 (137.8)	1500 (59.0) × 2500 (98.4)				
	36-50	1500 (59.0) × 1500 (59.0)	1000 (39.4) × 1500 (59.0)				

[mm (in)]

Model	Lifting Capacity	Dimensions			Battery	Working Hours (50%ED)	Mass	Battery Charger	Charging Time	Accessories
		Attractive face	Height	Lifting ring ID						
LME-20ETJ	2000kg/ 4409 lb	155 (6.10) × 435 (17.1) 2 units	701 (27.6)	φ 75 (2.95)	12V28Ah	Max. 8 hours	290kg/639 lb	Input 100 VAC Output 12 VDC	10-15h	Spare battery: 1 set Charger: 1 set

※The lifting capacity is indicated by a value that is a half of the max. holding power. ※The number-of-workpiece control type, special specifications, is also available.



Keep in mind that the capacity of the Lifma varies largely depending on the thickness and material of workpieces, clearance and other factors.

MAGNETIC TOOLS & EQUIPMENT  
FOR WELDING OPERATION

LIFTING  
MAGNET

MAGBONE\*

CONVEYANCE EQUIPMENT  
CHIP & SLUDGE

ENVIRONMENTAL  
EQUIPMENT

MAGNETIZER AND  
DEMAGNETIZER

MAGNETIC EQUIPMENT  
FOR CONVEYANCE

MAGNETIC  
SEPARATORS

POWERFUL MAGNETIC  
SEPARATORS

MEASURING  
TOOLS

MEASURING  
INSTRUMENTS

MAGNETIC  
MATERIALS