

MAGNETIC SEPARATORS

Model KDS DRUM TYPE MAGNETIC SEPARATOR



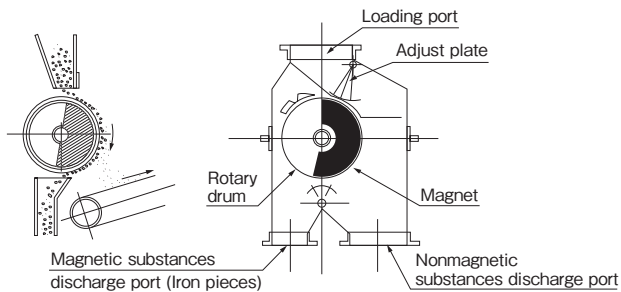
KDS-300C

[Application]

A motor-driven magnetic separating system incorporating a permanent magnetic drum in a casing automatically removes and collects iron pieces, bolts, etc. from raw materials loaded from a hopper.

[Features]

- Very easy to handle.
- Compact and light weight for easy relocation and installation.
- The powerful magnetic force type having a large processing capacity.
- KDS-HA-C 180 mT (1800 G), HC-C 300 mT (3000 G), HE-C 500 mT (5000 G) Series are also available.

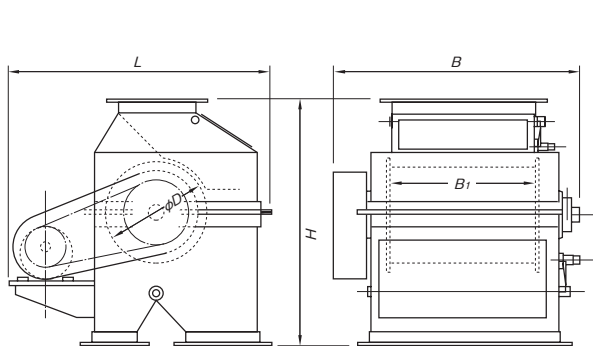


[mm (in)]

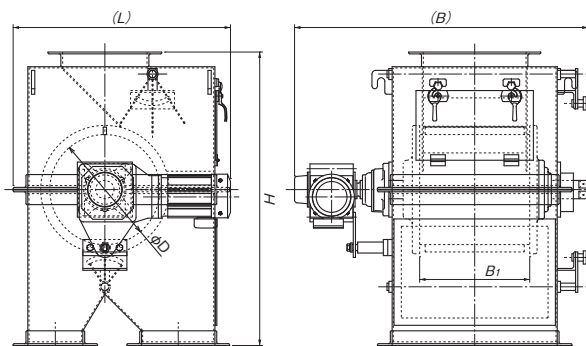
Model	Processing Capacity	Dimensions			Drum		Surface Magnetic Flux Density	Drive Motor	Mass		
		L	B	H	ϕD	B_1					
KDS- 250C	15m ³ /h	540 (21.2)	700 (27.5)	725 (28.5)	250 (9.84)	250 (9.84)	90mT (900G)	0.2kW	125kg/ 275 lb		
KDS- 300C	25m ³ /h		800 (31.5)			300 (11.8)			150kg/ 330 lb		
KDS- 500C	40m ³ /h	590 (23.2)	950 (37.4)	800 (29.5)	300 (11.8)	450 (17.7)			100mT (1000G)	0.4kW	230kg/ 507 lb
KDS- 600C	50m ³ /h		1100 (43.3)								600 (23.6)
KDS- 800B	75m ³ /h	930 (36.6)	1000 (39.4)	850 (33.4)	400 (15.7)	680 (26.7)		0.75kW		450kg/ 992 lb	
KDS- 900B	90m ³ /h		1150 (45.2)							830 (32.6)	550kg/ 1213 lb
KDS-1100BA	105m ³ /h	1150 (45.2)	1000 (39.4)	1100 (43.3)	500 (19.6)	680 (26.7)		600kg/ 1323 lb			
KDS-1200BA	125m ³ /h		1150 (45.2)					830 (32.6)		740kg/ 1631 lb	

※Pre-test is available. ※The Processing Capacity is presented as a guide. The listed values may drop depending on substances to process.

※KDS-1100BA/1200BA use the IE3 motor.



<KDS-B>



<KDS-C>

An example of fabrication of KDS-300B-2-S 2-stage drum type magnetic separator

