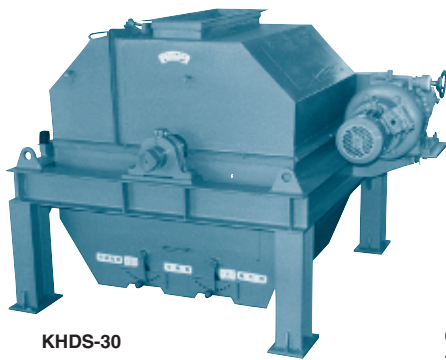


MAGNETIC SEPARATORS

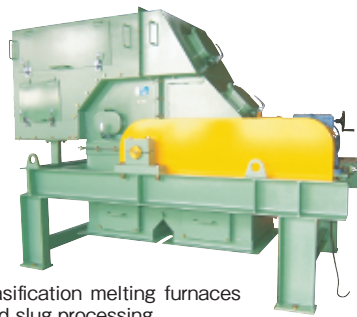
Model KHDS HIGH-SPEED DRUM TYPE MAGNETIC SEPARATOR

MAGNETIC TOOLS & EQUIPMENT FOR MINING OPERATION
 LIFTING MAGNET
 MAGBORER
 CHIP & SLUDGE CONVEYANCE EQUIPMENT
 ENVIRONMENTAL MAGNETIZER AND DEMAGNETIZER
 MAGNETIC SEPARATORS
 POWERFUL MAGNETIC MEASURING INSTRUMENTS
 MAGNETIC MATERIALS



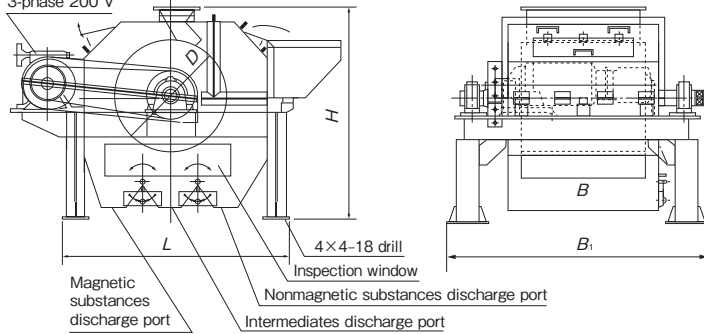
KHDS-30

An example of KHDS fabrication



Gasification melting furnaces and slug processing

Bayer cyclo variable speed changer
3-phase 200 V



Relation between amount to process and substances to process

In general, the processing amount varies depending on the specific gravity of substances to process and such processing conditions as the grain size, magnetized state, water content, etc.

Amount to process by KHDS-30 <Example>

Grain Size, etc.	Processing Amount
Grain size 15 - 6 mm	15-7 (t/h)
Grain size 6 - 2 mm	7-5 (t/h)
Grain size less than 2 mm	5-1 (t/h)
Separation of iron wastes from nonferrous metallic chips	1-2 (t/h)

These are high-performance magnetic separators designed to easily separate and collect magnetized fine powder and fine particles that are difficult to separate with other dry type magnetic separators.

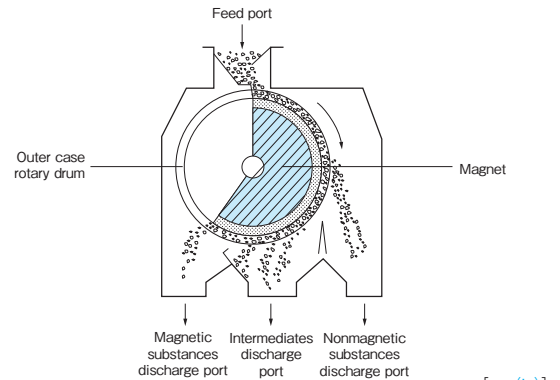
The effect of the magnetic force created by a unique pole layout together with adjustment of the centrifugal force by varying the rotation enables collection and separation of magnetized substances without taking in impurities.

[Application]

Suitable for separation of mine smalls, sorting of weak magnetic ores and separation of iron from aluminum, copper and brass chips. In addition, these separators are also useful for separation of dust, waste sand, casting sand and shots.

[Features]

- The unique pole construction enables separation without taking in impurities.
- The drum speed can be varied according to substances to separate, which enables these separators to be used under various conditions of separation.
- A type for slug is also available.



[mm (in.)]

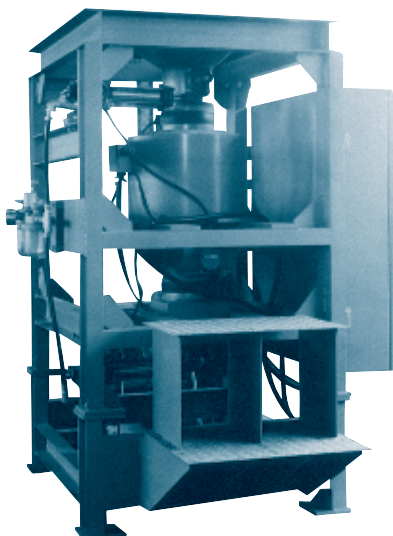
Model	Processing Capacity	Dimensions			Drum		Mass
		B ₁	L	H	φD	B	
KHDS-15	2.2-12.0t/h	900 (35.4)				150 (5.90)	1800kg/3968 lb
KHDS-30	4.5-24.0t/h	1000 (39.4)				300 (11.8)	2200kg/4850 lb
KHDS-45	6.7-36.0t/h	1150 (45.2)	1470 (57.8)	1500 (59.0)	930 (36.6)	450 (17.7)	2600kg/5732 lb
KHDS-60	9.0-48.0t/h	1300 (51.1)				600 (23.6)	3300kg/7275 lb
KHDS-75	11.0-60.0t/h	1500 (59.0)				750 (29.5)	3600kg/7937 lb
KHDS-90	13.0-72.0t/h	1700 (66.9)				900 (35.4)	4000kg/8818 lb

*The power source is 3-phase, 200 VAC.

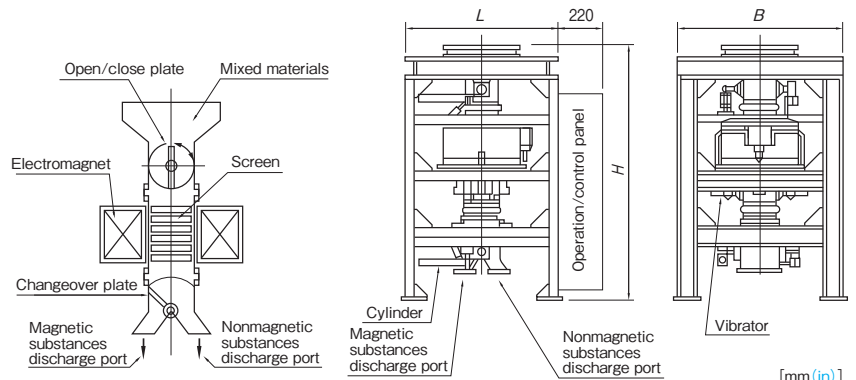
Model KIF ELECTROMAGNETIC FILTER

[Application]

These filters work well in removing fine iron powder from pigments, glass materials, foods, chemicals and other various kinds of powder materials.



KIF-30



[mm (in.)]

Model	Processing Capacity	Dimensions			Electromagnet	Mass
		B	L	H		
KIF-16	1.0m³/h	800 (31.5)	800 (31.5)	1300 (51.1)	0.8kW	540kg/1190 lb
KIF-20	1.5m³/h	1100 (43.3)	1000 (39.4)	1550 (61.0)	1.0kW	1000kg/2205 lb
KIF-30	3.5m³/h	1200 (47.2)	1100 (43.3)	1850 (72.8)	1.5kW	1500kg/3307 lb

*Accessory: DC control unit (Input 3-phase 200 VAC)