

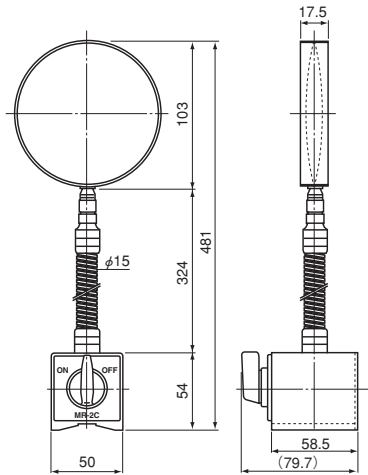
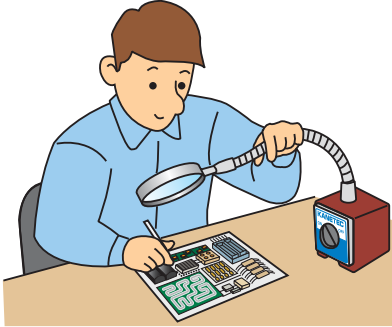
Model MR MAGNETIC LENS STAND MAGLENS

[Application]

Very useful for accurate readings of the smallest graduations on measuring instruments.

[Features]

- The large diameter lens protects your eyes from fatigue and is easy to read.
- Angle of Maglens is freely adjustable with its flexible neck; and the lens is also turnable.



Model	Holding Power	Flexible tube Length	Lens Dia	Focus Distance	Magnification	Mass
MR-2C	800N (80kgf)	257 (10.1)	φ100 (3.93)	250 (9.84)	×2	1.5kg/3.3 lb

※ The holding power applies to SS400, thickness 10 mm and ground surface.

Model MBE MOBILITY* (ONE-TOUCH BASE)



MBE-35

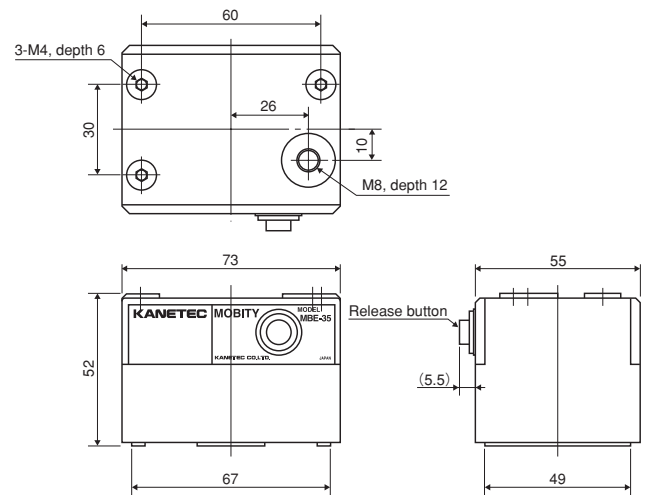
[Application]

Most suitable as a temporary mounting base for laser and other optical measurement.

The magnetic force can be changed over with a finger tip quickly. "One-touch" and "soft-touch" ON/OFF changeover is possible.

[Features]

- The magnetic force can be turned on and off with a single hand to enable fine positioning quickly.
- Since this is not of mechanical changeover construction, there are no parts that are worn by ON/OFF operations, thus making this model suitable for use in clean rooms.
- Light weight and compact, yet strong holding power.
- Various measuring instruments can be mounted with M8 and M4 tapped holes on the top face to expand applications further.



An example of usage of laser displacement gage



An example of usage of micro checker

Model	Holding Power	Dimensions			Mounting Hole	Mass
		Width	Length	Height		
MBE-35	400N (40kgf)	73 (2.87)	55 (2.16)	52 (2.04)	1 (0.03) -M8 (0.31) Depth12 (0.47) / 3 (0.11) -M4 (0.15) Depth 6 (0.23)	0.7kg/1.5 lb

※ The holding power applies to SS400, thickness 25 mm and ground surface.

ELECTROMAGNETIC CHUCKS
CHUCK CONTROLLERS
PERMANENT MAGNETIC CHUCKS
PERMANENT ELECTROMAGNETIC CHUCKS
BLOCKS FOR MC
VACUUM CHUCKS
PROMELTA SYSTEM
SINE BAR CHUCKS
MAGNETIC BLOCKS
WORKING TOOLS
MEASURING TOOL HOLDERS
MAGNETIC HOLDERS
MAGNETIC TOOLS