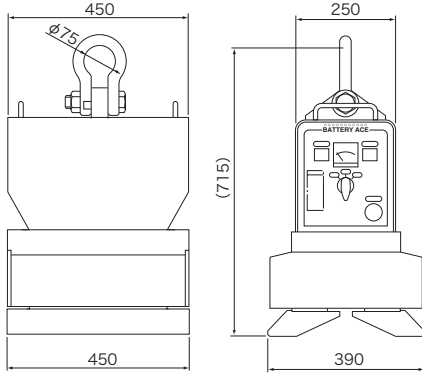


Model LME-V BATTERY ACE*

Round steel / section steel

〈LME-25EV〉



[Application]

A special type Battery Ace that can be specialized for lifting round steels and pipes or for lifting section steels by changing attachments. Any attachment can be used to lift steel plates and flat steels, but works most effectively in lifting long steel plates that deform.

Attachments

No. □□-130 Open angle 130°		No.25-130 Round steel/pipe φ80—400mm Steel plate: Lifting capacity 2500 kg (Plate thickness 35 mm, mill scale plate)
No. □□-90 Open angle 90°		No.25-90 Round steel/pipe φ80—150mm Section steel: Length of one side 100—250mm Steel plate: Lifting capacity 2500 kg (Plate thickness 35 mm, mill scale plate)



Precaution for use

Rust and scratches on the attractive face adversely affects the holding power. Inspect/check periodically and make repairs.

[mm (in)]

Model	Lifting Capacity (On mill scale steel plate 35 mm (1.37) or thicker)	Dimensions	Lifting Ring	Battery	Working Hours (50%ED)	Mass	Attachment	Battery Charger	Charging Time	Accessories
LME-6EV	600kg/ 1323 lb	Attractive face 320 (12.6) × 230mm (9.05) Height to lifting ring 625mm (24.6)	φ 58 (2.28)	12V12Ah	Max 9h	90kg/198 lb	No.6-130 No.6-90	Input 100 VAC, output battery 1 pc (12V)	10—15h	Spare battery: 1 set Charger (standard): 1 set Hydrometer
LME-10EV	1000kg/ 2205 lb	Attractive face 390 (15.3) × 230mm (9.05) Height to lifting ring 715mm (28.2)	φ 75 (2.95)	12V35Ah	Max 16h	250kg/551 lb	No.10-130 No.10-90			
LME-25EV	2500kg/ 5512 lb	Attractive face 390 (15.3) × 450mm (17.7) Height to lifting ring 715mm (28.2)	φ 118 (4.64)		Max 9h	300kg/661 lb	No.25-130 No.25-90			
LME-30EV	5000kg/ 11025 lb	Attractive face 390 (15.3) × 900mm (35.4) Height to lifting ring 901mm (35.4)		12V35Ah 2 pcs in series		450kg/992 lb	No.50-130 No.50-90			

※Two types of attachments are available for desired applications.

Maximum dimensions of angle steels to lift (L steel)

Model	Length of one side	Then, the length is
LME-6EV	75 (2.95) — 200 (7.87)	Up to 1.7 m (66.9)
LME-10EV	100 (3.93) — 250 (9.84)	Up to 2.5 m (98.4)
LME-25EV	100 (3.93) — 250 (9.84)	Up to 6.0 m (236.2)
LME-30EV	100 (3.93) — 250 (9.84)	Up to 10.0 m (393.7)

(When Attachment No. □□-90 used)

※The lifting capacity is indicated by a value that is a half of the maximum holding power.

※50%ED……Repeating cycle of power on 5 min. and pause 5 min.

Maximum dimensions of steel plates to lift (when Attachment No. □□-130 used)

[mm (in)]

Model	LME-6EV				LME-10EV			
	Thickness	Square Shape	Rectangular Shape		Square Shape	Rectangular Shape		
5—7	350 (13.7) × 350 (13.7)	500 (19.6) × 300 (11.8)			600 (23.6) × 600 (23.6)	500 (19.6) × 650 (25.5)	1000 (39.3) × 400 (15.7)	
8—12	450 (17.7) × 450 (17.7)	500 (19.6) × 400 (15.7)			700 (27.5) × 700 (27.5)	500 (19.6) × 800 (31.5)	1000 (39.3) × 450 (17.7)	
13—16	550 (21.6) × 550 (21.6)	500 (19.6) × 600 (23.6)	1000 (39.3) × 300 (11.8)		750 (29.5) × 750 (29.5)	500 (19.6) × 1200 (47.2)	1000 (39.3) × 600 (23.6)	
17—40	700 (27.5) × 700 (27.5)	500 (19.6) × 1000 (39.3)	1000 (39.3) × 500 (19.6)		900 (35.4) × 900 (35.4)	500 (19.6) × 1250 (49.2)	1000 (39.3) × 750 (29.5)	
45—50	600 (23.6) × 600 (23.6)	500 (19.6) × 900 (35.4)	1000 (39.3) × 450 (17.7)		1000 (39.3) × 1000 (39.3)	500 (19.6) × 1750 (68.9)	1000 (39.3) × 1000 (39.3)	
75	550 (21.6) × 550 (21.6)	500 (19.6) × 600 (23.6)	1000 (39.3) × 300 (11.8)		900 (35.4) × 900 (35.4)	500 (19.6) × 1250 (49.2)	1000 (39.3) × 750 (29.5)	
100	450 (17.7) × 450 (17.7)	500 (19.6) × 400 (15.7)	1000 (39.3) × 200 (7.87)		700 (27.5) × 700 (27.5)	500 (19.6) × 1000 (39.3)	1000 (39.3) × 600 (23.6)	

[mm (in)]

Model	LME-25EV				LME-30EV			
	Thickness	Square Shape	Rectangular Shape		Square Shape	Rectangular Shape		
5—7	900 (35.4) × 900 (35.4)	500 (19.6) × 1300 (51.2)	1000 (39.3) × 800 (31.5)		1400 (55.1) × 1400 (55.1)	1000 (39.3) × 1800 (70.9)	2000 (78.7) × 800 (31.5)	
8—12	1000 (39.3) × 1000 (39.3)	500 (19.6) × 1600 (62.9)	1000 (39.3) × 900 (35.4)		1700 (66.9) × 1700 (66.9)	1000 (39.3) × 2500 (98.4)	2000 (78.7) × 1400 (55.1)	
13—16	1100 (43.3) × 1100 (43.3)	500 (19.6) × 2000 (78.7)	1000 (39.3) × 1100 (43.3)		1800 (70.9) × 1800 (70.9)	1000 (39.3) × 3500 (137.8)	2000 (78.7) × 1800 (70.9)	
17—40	1300 (51.2) × 1300 (51.2)	500 (19.6) × 2500 (98.4)	1000 (39.3) × 1700 (66.9)		1900 (74.8) × 1900 (74.8)	1000 (39.3) × 3800 (149.6)	2000 (78.7) × 1900 (74.8)	
45—50	1500 (59.0) × 1500 (59.0)	500 (19.6) × 3500 (137.8)	1000 (39.3) × 2000 (78.7)		2000 (78.7) × 2000 (78.7)	1000 (39.3) × 4000 (157.5)	2000 (78.7) × 2000 (78.7)	
75	1200 (47.2) × 1200 (47.2)	500 (19.6) × 2500 (98.4)	1000 (39.3) × 1500 (59.0)		1500 (59.0) × 1500 (59.0)	1000 (39.3) × 2600 (102.4)	2000 (78.7) × 1150 (45.2)	
100	900 (35.4) × 900 (35.4)	500 (19.6) × 2000 (78.7)	1000 (39.3) × 850 (33.5)		1400 (55.1) × 1400 (55.1)	1000 (39.3) × 2000 (78.7)	2000 (78.7) × 1000 (39.3)	