

Model **OC** OIL ELIMINATOR

A powerful tool to assist purification of coolant.

MAGNETIC TOOLS FOR WELDING OPERATION

LIFTING MAGNET

MAGCORE

CHIP & SLUDGE TRANSPORTERS

ENVIRONMENTAL EQUIPMENT

MAGNETIZERS AND DEMAGNETIZERS

MAGNETIC EQUIPMENT FOR TRANSPORTATION

MAGNETIC SEPARATORS

HIGH GRADE MAGNETIC SEPARATORS

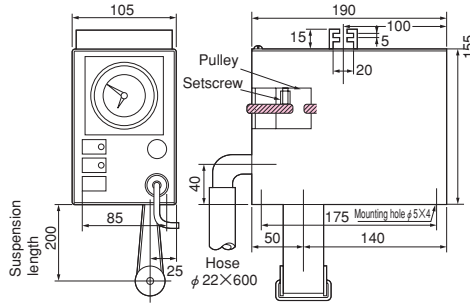
MEASURING TOOLS

MEASURING INSTRUMENTS

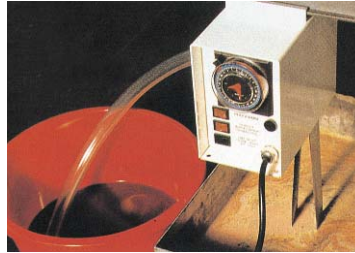
MAGNETIC MATERIALS



OC-2



An example of usage



This model is designed to separate and collect oil film floating on the surface of fluid in waste fluid tanks of coolant and by a special endless belt to assist purification and recycling of fluid.

[Application]

- Collection of floating oil in machined parts washing tanks and degreasing processes.
- Collection of oil in water soluble coolant.
- Collection of oil floating in plant waste water.

[Features]

- This oil eliminator (skimmer) extracts oil films efficiently and automatically discharges waste oil.
- Simple casing, light weight and compact for installation in limited space.
- Compared with a filter system, the endless belt has a longer service life and the running cost is very low.
- The belt is highly resistant to heat and chemicals and can be used with acids, alkalis and chemical products. (However, when fluid is hot, its viscosity drops to affect the collection efficiency.)
- The eliminator can be run continuously or controlled by a timer or programs. The 24-hour timer can be set to any intervals in increments of 10 minutes for intermittent operation.
- In addition to the standard belt (reciprocating axis-to-axis length 200 mm/belt width 40 mm), special types such as L=250, L=300 and heat resistance specification are also available.

[mm(in)]

Model	Capacity	Power Source	Motor	Mass	Remarks
OC-2	4L/h	Single-phase 200 VAC	3.5W	4.2kg/9.2 lb	Changeable to 100 VAC

※ The power source can be changed to a single phase, 100V only by changing internal wiring.  
 ※ Accessories 1. Standard belt (reciprocating axis-to-axis length 200 mm/belt width 40 mm) × 1  
 2. Discharge hose (overall length 600 mm/OD φ22 mm) × 1

Model **KBS** BARREL TYPE SEPARATOR

An example of fabrication



KBS-15B

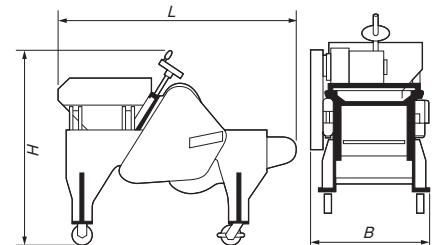


[Application]

This model is designed to automatically separate media and iron products after barrel polishing. It can also be applied to such operation as to automatically separate iron chips from nonferrous chips and products from polishing media.

[Features]

- The powerful permanent magnetic drum ensures efficient separation.
- The separators can be demagnetized as needed by installing an automatic demagnetizer.
- Casters facilitate relocation and installation.



[mm(in)]

Model	Treating Capacity	Power Source	Motor Capacity	Demagnetizer Capacity		Hopper Volume	Dimensions			Mass
				Current	Capacity		L	B	H	
KBS-15B	20L/min	Single-phase 100 VAC	100W	9A	0.9kVA	20L	955 (37.6)	460 (18.1)	795 (31.3)	100kg/220 lb
KBS-30B	30L/min	3-phase 200 VAC	200W	10A	2kVA	30L		590 (23.2)		145kg/319 lb