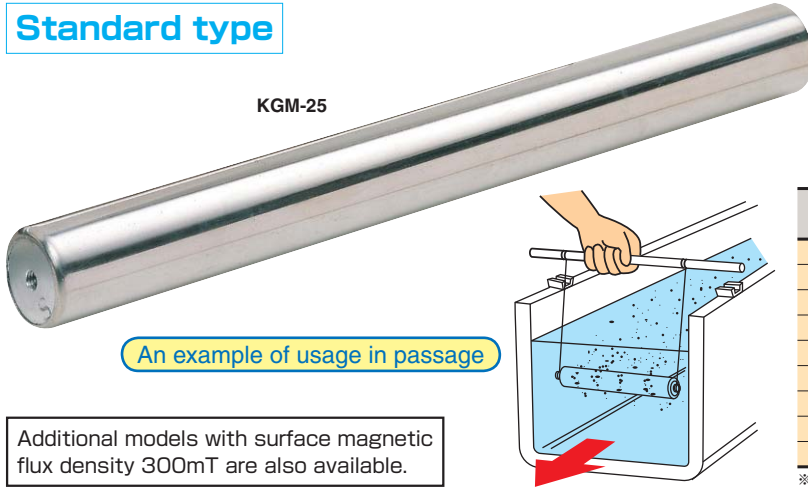


MAGNETIC SEPARATORS

Model KGM MAGNETIC BAR

Standard type

KGM-25



An example of usage in passage

Additional models with surface magnetic flux density 300mT are also available.

A magnetic bar used in a grid type magnet. This bar alone is also available. A round bar type having tapped holes on both ends for mounting. Casing is made of stainless steel. These bars come in various lengths for use in a wide range of applications.

[mm (in)]					
Model	Length	Dia	Max. Flux Density	Temperature Limit	Mass
KGM-20	194 (7.63)	φ25 (0.98)	130mT (1300G)	Approx. 60°C (140° F)	0.5 kg/1.10 lb
KGM-25	244 (9.60)				0.55kg/1.21 lb
KGM-30	295 (11.6)				0.65kg/1.43 lb
KGM-35	343 (13.5)				0.8 kg/1.76 lb
KGM-40	393 (15.4)				0.9 kg/1.98 lb
KGM-45	442 (17.4)				1.0 kg/2.20 lb
KGM-50	493 (19.4)				1.1 kg/2.42 lb
KGM-55	543 (21.3)	1.24kg/2.73 lb			
KGM-60	592 (23.3)	1.34kg/2.95 lb			

※The tapped holes are 2-M5, depth 6.

Model KGM-H POWERFUL MAGNETIC BAR



KGM-H20

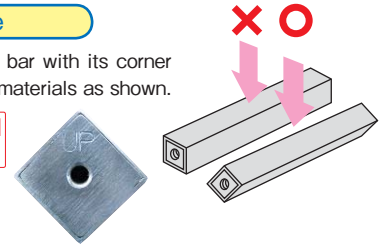
A magnetic bar used in a grid type magnet. This bar alone is also available. Casing is made of stainless steel.

How to Use

Set a square magnetic bar with its corner in the flow direction of materials as shown.

Cannot be used in fluid.

※The corner marked by "UP" must be up.

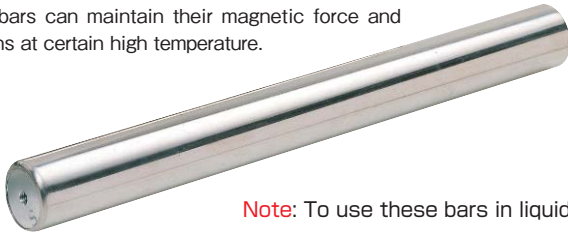


[mm (in)]					
Model	Length	Side Length	Max. Flux Density	Temperature Limit	Mass
KGM-H20	195 (7.67)	22 (0.86)	320mT (3200G)	Approx. 60°C (140° F)	0.6 kg/1.32 lb
KGM-H25	245 (9.64)				0.75kg/1.65 lb
KGM-H30	295 (11.6)				0.9 kg/1.98 lb
KGM-H35	345 (13.5)				1.1 kg/2.42 lb
KGM-H40	395 (15.5)				1.2 kg/2.64 lb

※The tapped holes are 2-M5, depth 6.

Model KGM-T HEAT-RESISTANT MAGNETIC BAR

These bars can maintain their magnetic force and functions at certain high temperature.

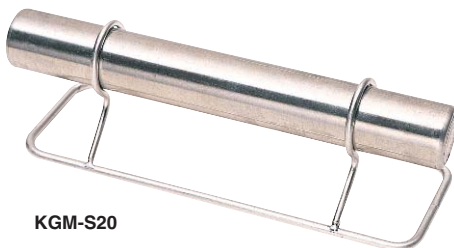


[mm (in)]					
Model	Length	Dia	Max. Flux Density	Temperature Limit	Mass
KGM-T20	194 (7.63)	φ25 (0.98)	130mT (1300G)	Approx. 150°C (302° F)	0.5 kg/1.10 lb
KGM-T25	244 (9.60)				0.55kg/1.21 lb
KGM-T30	295 (11.6)				0.65kg/1.43 lb

※The tapped holes are 2-M5, depth 6.

Note: To use these bars in liquids (e.g. water) other than oil, please specify "enclosed type."

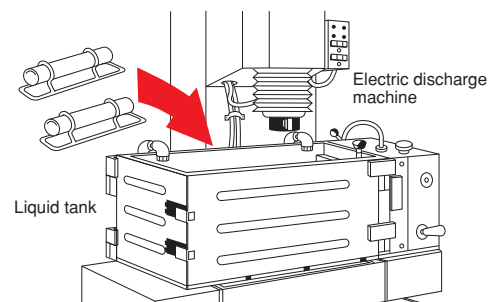
Model KGM-S STAND TYPE MAGNETIC BAR



KGM-S20

[Application]

This magnetic bar is equipped with a stand which permits placing it in a tank to remove iron in the tank fluid. We recommend packing the unit in a polyethylene or vinyl bag beforehand for convenience in removing the iron sticking to the unit.



Model	Magnetic Bar			Stand			Mass
	Length	Dia	Max. Flux Density	Height	Depth	Width	
KGM-S20	194 (7.63)	φ25 (0.98)	130mT (1300G)	54 (2.12)	60 (2.36)	170 (6.69)	約0.6kg/1.32 lb

※outer material : SUS304

MAGNETIC TOOLS FOR WELDING OPERATION
 LIFTING MAGNET
 MAGBORE
 CHIP & SLUDGE TRANSPORTERS
 ENVIRONMENTAL EQUIPMENT
 MAGNETIZERS AND DEMAGNETIZERS
 MAGNETIC EQUIPMENT FOR TRANSPORTATION
 MAGNETIC SEPARATORS
 HIGH GRADE MAGNETIC SEPARATORS
 MEASURING TOOLS
 MEASURING INSTRUMENTS
 MAGNETIC MATERIALS