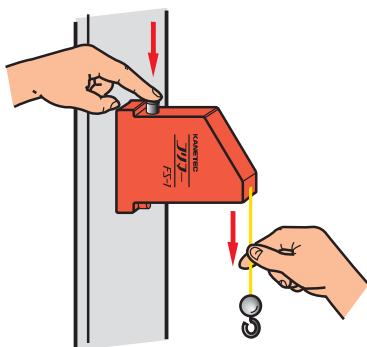


Model **FS** MAGNETIC PLUMB BOB

Plumb bob with strong magnet



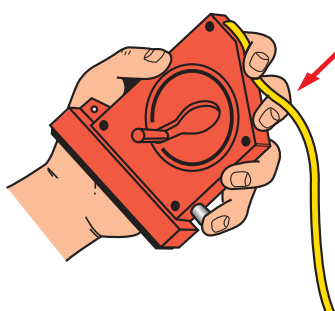
An example of usage



FS-1

スケール

錘



Parts for sale !

Wind up while lightly holding down string with finger to prevent tangling of string.

[Application]

A plumb bob incorporating a strong magnet suitable for use in building and bridge construction and shipbuilding sites. As the plumb bob is held by the magnet, one person can take accurate measurements easily. Easy to carry with improved safety. A plastic case is employed to reduce the weight.

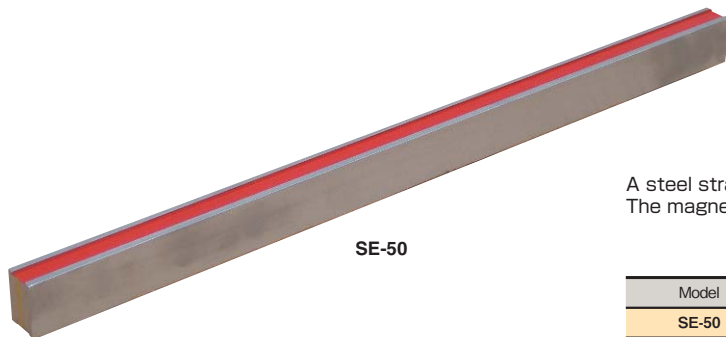
[Features]

- The case is made of reinforced plastic to provide both light weight and durability.
- A large diameter reel to speed up windup.
- A ratchet mechanism is provided for better operability. A safety stopper is also incorporated to absorb unexpected shocks.
- A scale of magnet with increased magnetic force is included.

Model	Holding Power	Dimensions	Mass		External Dimensions		
			Body	Plumb	Plumb	Scale	String
FS-1	60N (6kgf)	104 (4.09) × 120 (4.72) × 25 (0.98)	350g/0.8 lb	850g/1.9 lb	φ55 (2.16) × 86.5 (3.40)	φ36.5 (1.43) × 130 (5.11)	10m (393.7)

※The holding power (side slip resistance) applies to mill scale iron plate 9 mm or thicker.

Model **SE** STRAIGHT EDGE



SE-50

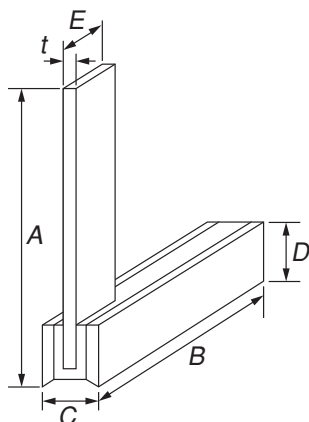
A steel straight edge incorporating a magnet. The magnetic force on/off function is not incorporated.

Model	Effective Length	Height	Width	Mass
SE-50	500 (19.6)	30 (1.18)	20 (0.78)	2kg/4.4 lb

Model **SK** MAGSQUARE



SK-15



A square with one of its orthogonal reference planes magnetized. It is held by the magnet on an inclined face or back face for easy operation.

Model	Mass						Squarness	Mass
	A	B	C	D	E	t		
SK-10	100 (3.93)	70 (2.75)	20 (0.78)	40 (1.57)	20 (0.78)	2.5 (0.09)	0.02+ $\frac{A}{10000}$	0.5kg/1.1 lb
SK-15	150 (5.90)	120 (4.72)	28 (1.10)		24 (0.94)	3.0 (0.11)		1.0kg/2.2 lb
SK-20	200 (7.87)	150 (5.90)	20 (0.78)		29 (1.14)	4.0 (0.15)		1.3kg/2.8 lb
SK-25	250 (9.84)	160 (6.29)			32 (1.26)			1.2kg/2.6 lb

MAGNETIC TOOLS FOR WELDING OPERATION

LIFTING MAGNET

MAGBORE

CHIP & SLUDGE TRANSPORTERS

ENVIRONMENTAL EQUIPMENT

MAGNETIZERS AND DEMAGNETIZERS

MAGNETIC EQUIPMENT FOR TRANSPORTATION

MAGNETIC SEPARATORS

HIGH-GRADE MAGNETIC SEPARATORS

MEASURING TOOLS

MEASURING INSTRUMENTS

MAGNETIC MATERIALS