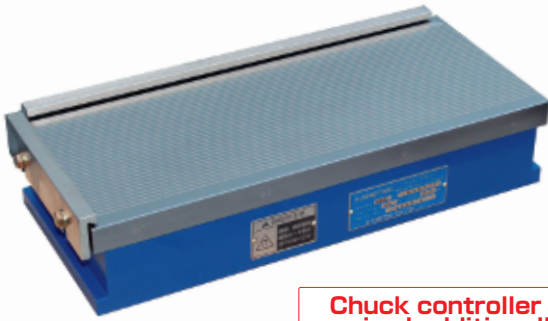


# ELECTROMAGNETIC CHUCKS

## Model KESL LATERAL FINE PITCH ELECTROMAGNETIC CHUCK



KESL-1535A-1

**Chuck controller required additionally**

Pitches for comparison

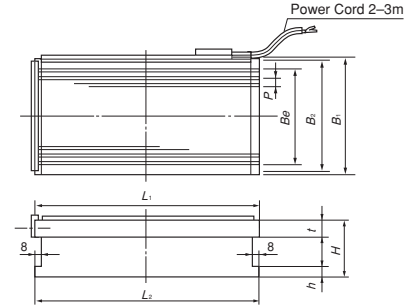


### [Application]

These are versatile electromagnetic chucks with poles in the longitudinal direction capable of holding workpieces, thin and thick, in grinding and light duty cutting. In particular, these chucks are suitable for grinding and light duty cutting of long thin workpieces and buff and belt grinding of large quantities of workpieces, which are difficult to hold by standard type electromagnetic chucks.

### [Features]

- A fine pole pattern is arranged in the longitudinal direction.
- The N-S magnetic force lines are spaced relatively wide for good holding via a belt. (Note, however, that because the distribution of the holding power is not uniform, this model may not be suitable for grinding small workpieces arranged over the whole surface.)
- Powerful holding, but low height.

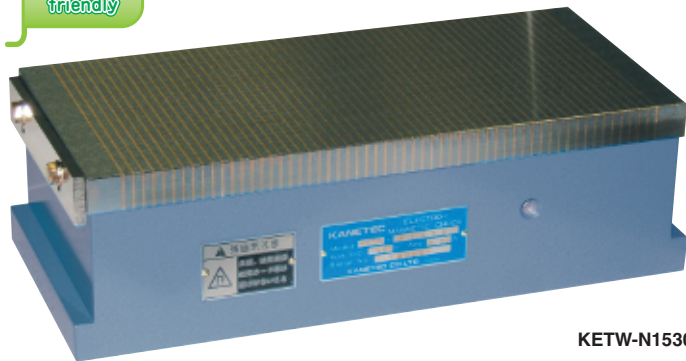


[mm (in.)]

Model	Nominal Size	Work Face				Pole Pitch	Mounting Face			Height	Voltage	Current	Power Cord	Mass	Electro Chuck Master
		B <sub>1</sub>	L <sub>1</sub>	t	B <sub>e</sub>		B <sub>2</sub>	L <sub>2</sub>	h						
KESL-1025A-1	100 (3.93) × 250 (9.84)	100 (3.93)	250 (9.84)	20 (0.78)	77 (3.03)	98 (3.85)	250 (9.84)	13 (0.51)	70 (2.75)	90 VDC	0.36A	2m (78.7)	12kg / 26 lb	ES-M103B ES-M305B EH-V305A EH-VE305A	
KESL-1325A-1	125 (4.92) × 250 (9.84)	125 (4.92)	250 (9.84)		101 (3.97)	123 (4.84)									
KESL-1530A-1	150 (5.90) × 300 (11.8)	150 (5.90)	300 (11.8)	125 (4.92)	148 (5.82)	300 (11.8)	13 (0.51)	70 (2.75)	90 VDC	0.48A	2m (78.7)	19kg / 42 lb			
KESL-1535A-1	150 (5.90) × 350 (13.7)		350 (13.7)									350 (13.7)	350 (13.7)		
KESL-1545A-1	150 (5.90) × 450 (17.7)	200 (7.87)	450 (17.7)	173 (6.81)	198 (7.79)	500 (19.6)	13 (0.51)	70 (2.75)	90 VDC	0.85A	3m (118)	23kg / 51 lb			
KESL-2040A-1	200 (7.87) × 400 (15.7)		400 (15.7)									400 (15.7)	400 (15.7)		
KESL-2050A-1	200 (7.87) × 500 (19.6)	200 (7.87)	500 (19.6)	225 (8.85)	248 (9.76)	500 (19.6)	13 (0.51)	70 (2.75)	90 VDC	1.08A	3m (118)	29kg / 64 lb			
KESL-2060A-1	200 (7.87) × 600 (23.6)		600 (23.6)									600 (23.6)	600 (23.6)		
KESL-2550A-1	250 (9.84) × 500 (19.6)	250 (9.84)	500 (19.6)	27 (1.06)	273 (10.7)	248 (9.76)	13 (0.51)	85 (3.34)	90 VDC	1.60A	3m (118)	51kg / 113 lb			
KESL-3060A-1	300 (11.8) × 600 (23.6)	300 (11.8)	600 (23.6)	27 (1.06)	273 (10.7)	298 (11.7)	13 (0.51)	85 (3.34)	90 VDC	1.70A	3m (118)	62kg / 137 lb			

※If the magnetic force needs not be adjusted, use ES-M. ※The chuck controller and clamp parts are not included. The KANETEC chucks work best when a KANETEC chuck controller is used.

## Model KETW-N ELECTROMAGNETIC MICROPITCH CHUCK



KETW-N1530

**Chuck controller required additionally**

### (Information)

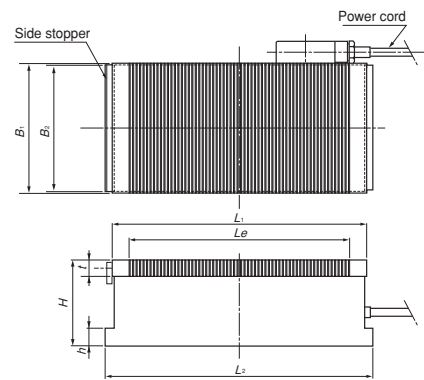
For small and thin workpieces, the permanent magnetic micropitch chuck is recommended. See Model RMWH.

### [Application]

Suitable for grinding and cutting of thin workpieces. However, workpieces should have an attractive face longer than 80 mm in the longitudinal direction.

### [Features]

- In addition to grinding of thin workpieces that meet the above conditions, this model is also suitable for cutting.



[mm (in.)]

Model	Nominal Size	Work Face				Pole Pitch	Mounting Face			Height	Mounting Hole	Voltage	Current	Power Cord	Mass	Electro Chuck Master	Remarks
		B <sub>1</sub>	L <sub>1</sub>	t	L <sub>e</sub>		B <sub>2</sub>	L <sub>2</sub>	h								
KETW-N1530	150 (5.90) × 300 (11.8)	150 (5.90)	300 (11.8)	19 (0.75)	245 (9.64)	146 (5.74)	314 (12.3)	20 (0.78)	100 (3.93)	Clamping	90 VDC	0.4A	2m (78.7)	31kg / 68 lb	ES-M103B ES-M305B EH-V305A EH-VE305A	※For types with a combination of a rectifier and demagnetizer, see pages of "Chuck Controllers."	
KETW-N1535	150 (5.90) × 350 (13.7)	150 (5.90)	350 (13.7)		293 (11.5)	364 (14.3)											
KETW-N1545	150 (5.90) × 450 (17.7)	200 (7.87)	450 (17.7)	397 (15.6)	464 (18.2)												
KETW-N2040	200 (7.87) × 400 (15.7)		400 (15.7)	349 (13.7)	414 (16.3)												
KETW-N2050	200 (7.87) × 500 (19.6)	200 (7.87)	500 (19.6)	445 (17.5)	514 (20.2)												
KETW-N2060	200 (7.87) × 600 (23.6)		600 (23.6)	549 (21.6)	514 (20.2)												
KETW-N2560	250 (9.84) × 600 (23.6)	250 (9.84)	600 (23.6)	549 (21.6)	614 (24.1)												
KETW-N3060	300 (11.8) × 600 (23.6)	300 (11.8)	600 (23.6)	549 (21.6)	614 (24.1)												

※If the magnetic force needs not be adjusted, use ES-M.

※The chuck controller and clamp parts are not included. The KANETEC chucks work best when a KANETEC chuck controller is used. ※Only the side stopper is included. (The back stopper is not included.)