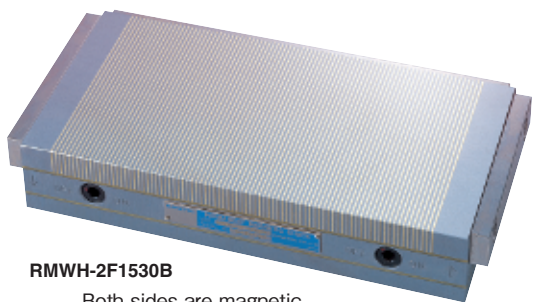


PERMANENT MAGNETIC CHUCKS

Model RMWH-2F DOUBLE-FACE HOLDING PERMANENT MAGNETIC CHUCK



RMWH-2F1530B

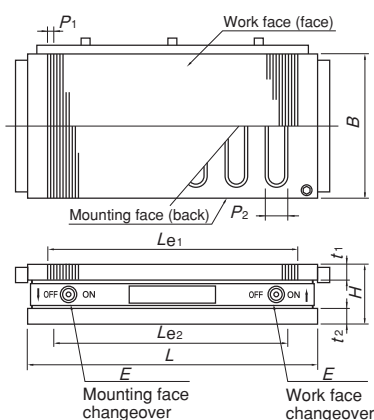
Both sides are magnetic.



Face



Back



[Application]

Suitable for grinding and electric discharge machining of workpieces of various thicknesses and sizes.

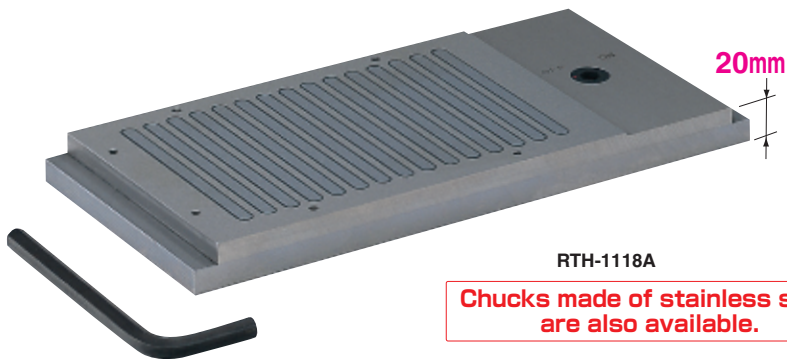
[Features]

- A micro pole-to-pole pitch on the chuck work face generates effective holding power on thin and small workpieces.
- A powerful permanent magnetic attractive face having a chuck mounting face that can also be turned on and off. Thus, no mechanical clamping is required for installation.
- Can be used in liquid.
- The changeover handle is of side insert type and can be kept detached when it is not used after ON/OFF operation.

Model	Nominal Size	Work Face				Face Plate Pole	Mounting Face		Mounting Face Pole	Height	Handle Hole	Mass
		B	L	L_{e1}	t_1	P_1	L_{e2}	t_2	P_2	H	E	
RMWH-2F1530B	150 (5.90) × 300 (11.8)	150 (5.90)	300 (11.8)	256 (10.0)	18 (0.70)	3(1+2) (0.11)	222 (8.74)	13 (0.51)	20 (2+18) (0.78)	55 (2.16)	8 (0.31)	17.5kg/ 38 lb

※As for the handle, a hex wrench key is included.

Model RTH SUPER THIN RECTANGULAR PERMANENT MAGNETIC CHUCK



RTH-1118A

Chucks made of stainless steel are also available.

Model	Nominal Size	Work Face				Pole Pitch	Mounting Face			Height	Handle Hole	Mass
		B	L_1	B_1	L_e		L_2	B	h			
RTH-713A	70 (2.75) × 130 (5.11)	70 (2.75)	180 (7.08)	50 (1.96)	97 (3.81)	10(1+5+1+3) (0.39)	200 (7.87)	70 (2.75)	10 (0.39)	20 (0.78)	8 (0.31)	2 kg/ 4.4 lb
RTH-1118A	110 (4.33) × 180 (7.08)	110 (4.33)	230 (9.05)	90 (3.54)	147 (5.78)		250 (9.84)	110 (4.33)	10 (0.39)	20 (0.78)	8 (0.31)	3.7kg/ 8.1 lb
RTH-1515A	150 (5.90) × 150 (5.90)	150 (5.90)	200 (7.87)	130 (5.11)	117 (4.60)		220 (8.66)	150 (5.90)	10 (0.39)	20 (0.78)	8 (0.31)	4.5kg/ 9.9 lb

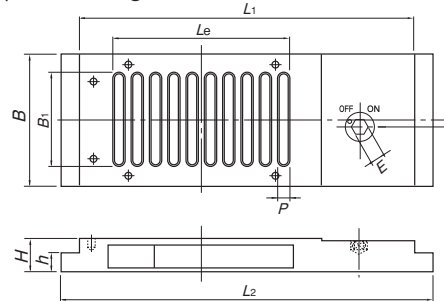
※As for the handle, a hex wrench key is included.

[Application]

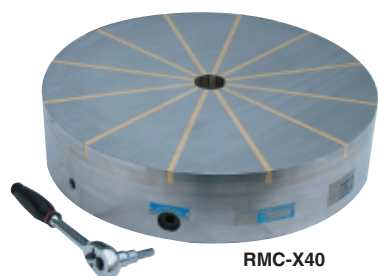
Suitable for securing workpieces for high speed and light duty grinding. (To use these chucks in liquid or in wet conditions, use machining fluid of rust-preventive type.) The light weight design makes these chucks suitable for setup change (pallet change) operations by workers also.

[Features]

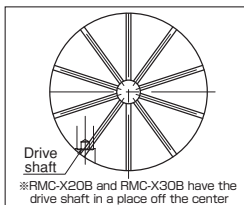
- Very thin (only 20 mm high) and light weight permanent magnetic chucks.



Model RMC-X STAR-POLE ROUND PERMANENT MAGNETIC CHUCK



RMC-X40



※RMC-X20B and RMC-X30B have the drive shaft in a place off the center.

[Application]

Permanent magnetic chucks for securing ring-shaped workpieces on lathes and vertical combined grinding machines.

[Features]

- The star-pole construction generates a strong magnetic force that works well on ring-shaped workpieces such as bearings.
- The permanent magnetic chucks that do not require electricity can be mounted easily without troublesome wiring. They also contribute to energy saving.
- Usable in wet conditions.
- Model RMC-X-B chucks are equipped with a magnetic force adjust function. (The ON-OFF operating angle is about 630 degrees and the magnetic force is adjusted according to the handle turning angles.)

Model	Mag. force adjust	Work Face				Mounting Face				Height		Mass	
		D_1	D_2	P	No. of poles "n"	D_3	K	D_p	d	Standard	Mag. force adjust	Standard	Mag. force adjust
RMC-X15	—	150 (5.90)	30 (1.18)	—	10	110 (4.33)	—	130 (5.11)	M8 (0.31)	74 (2.91)	—	Approx. 9 kg/ 19.8 lb	—
RMC-X20	RMC-X20B	200 (7.87)	—	6 (0.23)	10	160 (6.29)	4 (0.15)	180 (7.08)	M8 (0.31)	84 (3.30)	84 (3.30)	Approx. 16kg/ 35.2 lb	Approx. 18kg/ 39.6 lb
RMC-X30	RMC-X30B	300 (11.8)	—	—	12	230 (9.05)	—	260 (10.2)	M10 (0.39)	89 (3.50)	94 (3.70)	Approx. 42kg/ 92.6 lb	Approx. 43kg/ 94.7 lb
RMC-X40	RMC-X40B	400 (15.7)	—	—	12	315 (12.4)	—	355 (13.9)	M10 (0.39)	—	—	Approx. 83kg/ 182 lb	Approx. 90kg/ 198 lb

※A ratchet type handle (with socket) is included.

