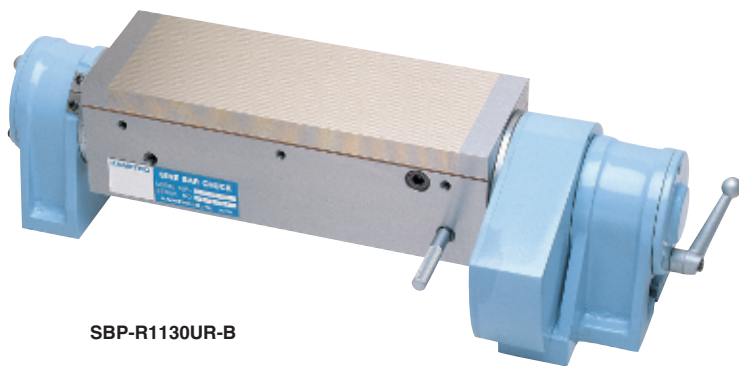


SINE BAR CHUCKS

Model SBP-R-UR TILT TYPE PERMANENT MAGNETIC SINE BAR CHUCK



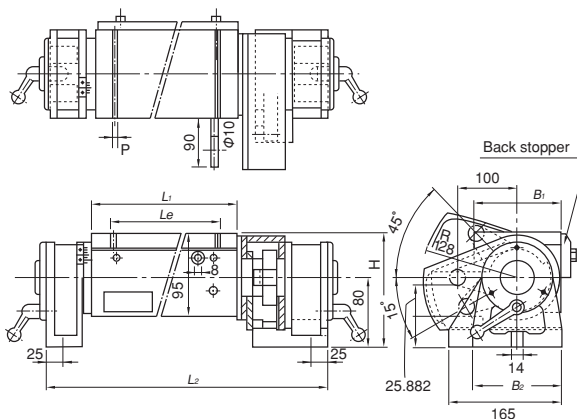
SBP-R1130UR-B

[Application]

Suitable for grinding molds and jigs including relatively small and thin ones that require high precision.

[Features]

- No electricity is needed, thus no heat is generated.
- The mechanical functions and features are almost the same as those of Model SBE.



[mm(in)]

Model	Nominal Size	Work Face			Pole Pitch	Mounting Face		Height		Height at Max. Tilt	Tilt Angle	Angle Accuracy	Mass
		B ₁	L ₁	L _e	H ₁	B ₂	L ₂	H ₁	H ₂				
SBP-R1130UR-B	105(4.13) × 300(11.8)	105(4.13)	300(11.8)	256(10.0)	3(1+2) 0.11(0.03+0.07)	110(4.33)	477(18.7)	135(5.31)		210(8.26)	-15° -+45°	0.007/100 max.	35kg/77 lb

*A gauge block (25.882 mm) for 0° is included. For the mechanism of angle setting, see the bottom part on page 51. The conversion table included with the product facilitates angle setting.

Model SBP-R-LS COMPOUND TYPE PERMANENT MAGNETIC SINE BAR CHUCK

W type



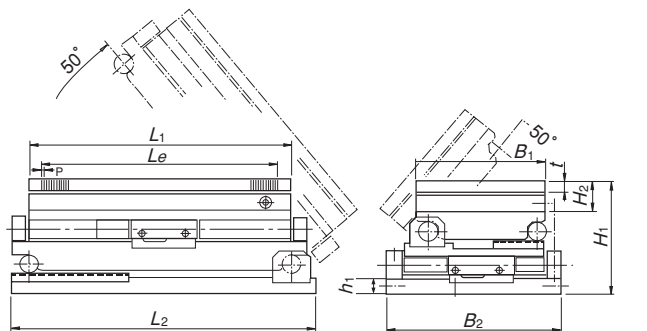
SBP-R1530LS-A

[Application]

Permanent magnetic chucks to enable highly accurate composite inclination on the X axis and Y axis.

[Features]

- When one side is closed, the chuck acts as a single vertical or horizontal type.
- The whole sine bar part is made of special steel, which has been precisely ground after hardening.
- The major parts have been lapped to ensure highly precise grinding and measurement over a long period of time.
- Since a thin permanent magnetic chuck is used, this model is easy to handle and provides a wider machining space.
- These chucks employ a permanent magnet and therefore no heat is generated, which enables highly precise grinding.



[mm(in)]

Gauge block not included.

Model	Nominal Size	Work Face				Pole Pitch	Mounting Face			Height		Height at Max. Tilt	Tilt Angle	Angle Accuracy	Roller Center Distance	Mass
		B ₁	L ₁	t	L _e	P	B ₂	L ₂	H ₁	H ₁	H ₂					
SBP-R1018LS-A	105(4.13) × 175(6.89)	105(4.13)	175(6.89)		143(5.63)		166(6.53)	200(7.87)		129(5.07)		(248) (9.76)	0° -50° Accuracy guaranteed range 0° -45°	0.007/100 max.	Upper 75(2.95)	18kg/39 lb
SBP-R1325LS-A	130(5.11) × 250(9.84)	130(5.11)	250(9.84)	18(0.70)	209(8.22)	3(1+2) 0.11(0.03+0.07)	186(7.32)	300(11.8)	22(0.86)		40(1.57)	(323) (12.7)			Upper 100(3.93)	35kg/77 lb
SBP-R1515LS-A	150(5.90) × 150(5.90)	150(5.90)	150(5.90)		119(4.68)		200(7.87)	210(8.26)		130(5.11)		(264) (10.3)			Upper 125(4.92)	25kg/55 lb
SBP-R1530LS-A	150(5.90) × 300(11.8)	150(5.90)	300(11.8)		257(10.1)		206(8.10)	345(13.5)	345(13.5)			(372) (14.6)			Upper 125(4.92)	45kg/99 lb

*A hex wrench key is included. For the mechanism of angle setting, see the bottom part on page 51. The conversion table included with the product facilitates angle setting.