

MEASURING TOOL HOLDERS

Model KM-B RULER HOLDER

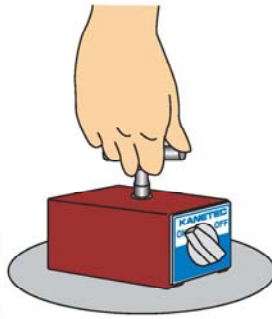
Holding power
1500N



KM-B2

KM-B1

Parts available individually



Holding power
800N

[Application]

Useful for a wide variety of operations; holding down a large ruler on a floor or wall during machining of iron plates, etc. and moving workpieces after cutting or attracting and removing chips.

- ※If used at high temperature, the holding power may drop.
- ※For transporting heavy workpieces, Model HL-15 (page 97) having a reinforced grip to withstand the weight is available.

[Features]

- Attachable and detachable easily with the ON/OFF lever.
- KM-B1 has the attractive face of V-groove and KM-B2 has the attractive face of inverted concave shape, which can be selected according to purposes of use.

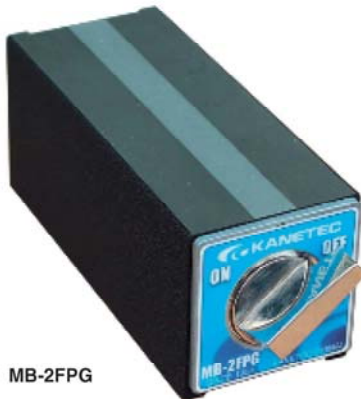
[mm(in)]

Model	Holding Power	Magnetic Holder Base			Mounting Tapped Hole	Mass
		Width	Length	Height		
KM-B1	800N(80kgf)	50 (1.96)	58.5(2.30)	55(2.16)	M 8 (0.31) × 1.25 (0.04), Depth 7 (0.27)	1.1kg/2.4 lb
KM-B2	1500N(150kgf)		120(4.72)	52(2.04)		1.9kg/4.2 lb

※The holding power is based on a test piece of SS400, 10 mm thick, ground surface.

Model MB-2FPG DOUBLE-FACE HOLDING MAGNETIC HOLDER BASE

A wide range of applications such as holding workpieces during welding and during precision measurement!



MB-2FPG

[Application]

Since workpieces can be held on the top face and bottom face simultaneously, this holder is suitable for holding workpieces on an iron surface plate.

[Features]

- The faces have been finished precisely to make this holder usable for measurement purpose also.
- The attractive face has a □ shape designed specially for flat surface attraction such as on an iron surface plate.

[mm(in)]

Model	Holding Power	Mounting Hole			Mass
		Width	Length	Height	
MB-2FPG	1471N(150kgf)	50 (1.96)	120(4.72)	51.5 (2.02)	2.5kg/5.5 lb

※Bottom face holding power when workpiece held on whole top face: 294 N (30 kgf), Top face holding power when workpiece held on whole bottom face: 245 N (25 kgf)

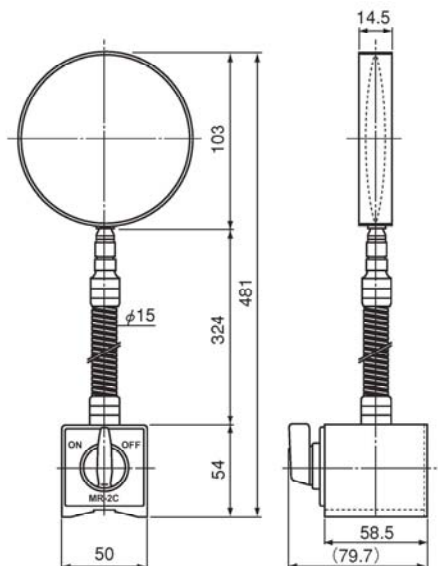
(*Top face holding power when workpiece held on whole bottom face* is based on a test piece of S15C, □50 × t25.)

Caution: Attraction on a curved face not allowed. Not waterproof construction. For use of several bases simultaneously, they need to be finished together. Please contact us.

Model MR MAGNETIC LENS STAND MAGLENS*



MR-2C
Holding power
800N

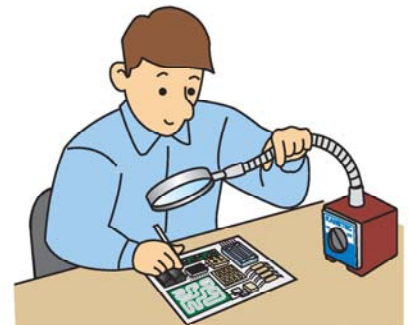


[Application]

Very useful for reading a scale of measuring instruments.

[Features]

- The bright and large diameter lens protects your eyes from fatigue and facilitates reading.
- The Maglens is equipped with a flexible tube which enables the Maglens to be set at any angle as desired. The lens is also turnable.



[mm(in)]

Model	Holding Power	Flexible Tube Length	Lens Dia.	Focus Distance	Magnification	Mass
MR-2C	800N (80kgf)	257 (10.1)	φ100 (3.93)	250 (9.84)	×2	1.5kg/3.3 lb

※The holding power is based on a test piece of SS400, 10 mm thick, ground surface.

ELECTROMAGNETIC CHUCK CONTROLLERS, PERMANENT MAGNETIC CHUCKS, PERMANENT MAGNETIC CHUCKS, ELECTROMAGNETIC CHUCKS, BLOCKS FOR MC, VACUUM CHUCKS, PROMELTA⁺ SINE BAR CHUCKS, BLOCKS, HOLDERS, MINI CHUCKS, HOLDING TOOLS, MEASURING TOOL HOLDERS, MAGNETIC HOLDERS, MAGNETIC TOOLS