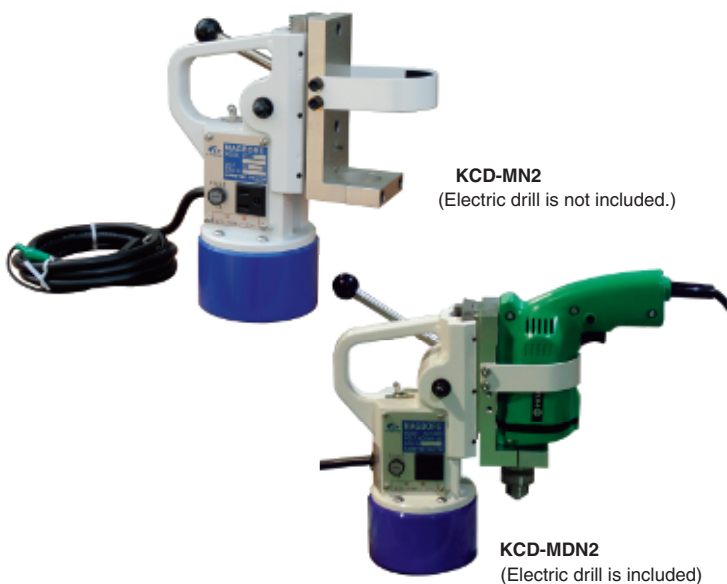


Model KCD-M MINI TYPE MAGBORE*

Compact magnetic force hold type drill stand



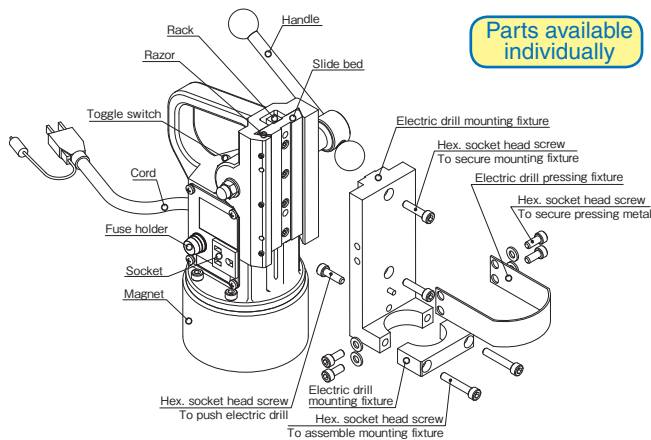
KCD-MN2
(Electric drill is not included.)

KCD-MDN2
(Electric drill is included)

[Features]

- Mini size weighing only 7 kg. Can be handled easily by female workers.
- Holds plates as thin as 5 mm and ensures highly precise drilling.
- The electric drill can be changed to a taper by changing the mounting fixtures.

Parts available individually



[mm (in.)]

Model	Applicable Drill	Drill Dia.	Power Source	Allowable Drilling Force	Holding Power	Dimensions		Max. Stroke	Mass	Remarks
						Magnet	Height			
KCD-MN2	6.5 (0.25)	1.5 (0.05) - 6.5 (0.25)	Single-phase 100 VAC/110 VAC, 50/60 Hz	1kN (100kgf)	3.5kN (350kgf)	φ 105 (4.13) × 60 (2.36)	240 (9.44)	100 (3.93)	5.5kg/12 lb	Electric drill not included
KCD-MDN2									7kg/15 lb	Electric drill included

**Power cable 2 m is included. **The holding power is based on a test piece of SS400, 25 mm thick, mill scale surface. KCD-MDN2 comes with an electric drill as a standard accessory.

Model KCD-N MAGBORE*

Portable magnetic force hold type drilling machine

A round magnet is turnable up to 320°. You can drill thin steel sheets by placing backing.

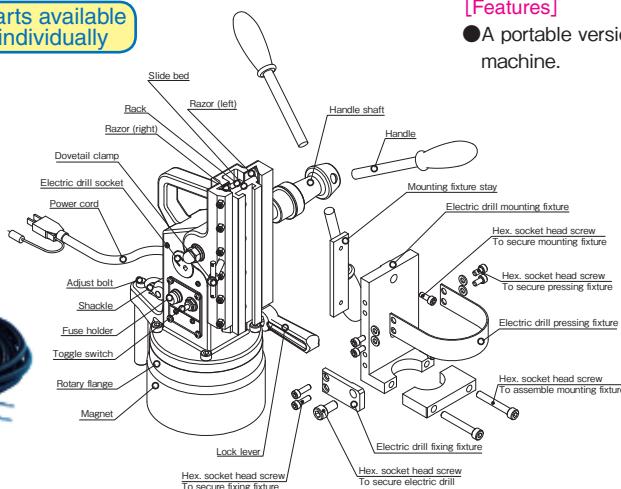
[Features]

- A portable version of the bench drilling machine.

Parts available individually



KCD-1NB



[mm (in.)]

Model	Applicable Drill	Drill Dia.	Power Source		Allowable Drilling Force	Holding Power	Dimensions		Max. Stroke	Turning Angle	Fine Back-Forth Move	Mass
			Voltage	Power			Magnet	Height				
KCD-1NB	13 (0.51)	1.5 (0.05) - 13 (0.51)	Single-phase 100 VAC	34W	4kN (400kgf)	8kN (800kgf)	φ 142 (5.59) × 70 (2.75)	355 (13.9)	140 (5.51)	320°	30 (1.18)	15.0kg/33 lb

**Power cable 5 m is included. **The holding power is based on a test piece of SS400, 25 mm thick, mill scale surface.

List of applicable electric drills by models of Magbore

Magbore	Hitachi
KCD-MN2	DG-6
KCD-1NB	D-13SB

Replacement of electric drills of old type KCD-MN/MN1/1NA

When you are using an old type and want to replace the electric drill with the latest type, please purchase a set of electric drill mounting fixtures of the latest model.

- Old KCD-MN/MN1 ⇒ Fixtures for latest KCD-MN2
- Old KCD-1NA ⇒ Fixtures for latest KCD-1NB

