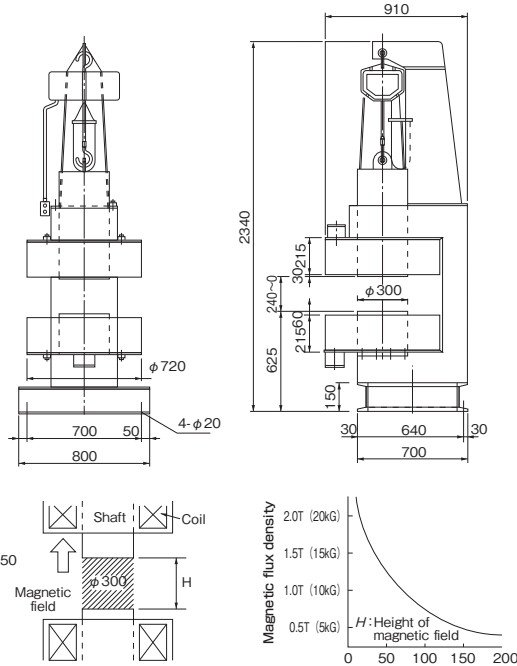


Model MFG MAGNETIC FIELD GENERATOR



MFG-300



LMT-230

[Application]

Produces a powerful magnetic field for magnetization of magnetic materials and seed magnetic field treatment in agriculture and gardening.

[Features]

- A simple configuration for installation within a floor area less than 1m².

■ Main unit

Model	Rating	Magnetic Flux Density	Mass
MFG-300	260 VDC·21A	Max.2T (20kG)	2800kg/6173 lb

■ Controller

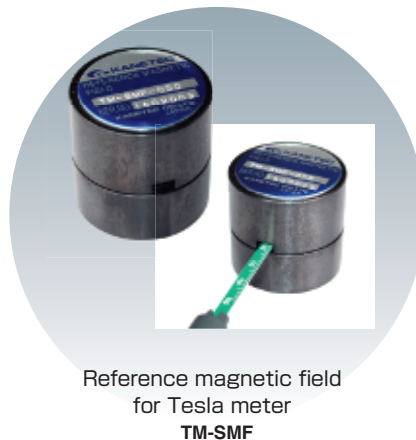
Model	Power Source	Output	Dimensions			Mass
			Width	Depth	Height	
LMT-230	3-phase 200 VAC	260 VDC·Max.30A	800 (31.5)	400 (15.7)	1800 (70.8)	250kg/551 lb

[mm (in)]

Measuring and controlling magnetic flux density



For details, see page 163.



For details, see page 164.



For details, see page 164.

MAGNETIC TOOLS & EQUIPMENT
FORMING OPERATION

LIFTING
MAGNET

MAGBORG®

CHIP & SLUDGE
CONVEYANCE EQUIPMENT

ENVIRONMENTAL
EQUIPMENT

MAGNETIZER AND
DEMAGNETIZER

MAGNETIC EQUIPMENT
FOR CONVEYANCE

MAGNETIC
SEPARATORS

POWERFUL MAGNETIC
SEPARATORS

MEASURING
TOOLS

MEASURING
INSTRUMENTS

MAGNETIC
MATERIALS