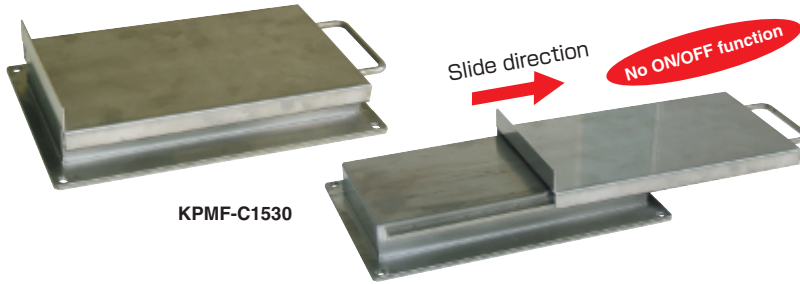


MAGNETIC SEPARATORS

Model **KPMF-C** PLATE MAGNET WITH IRON POWDER REMOVAL COVER

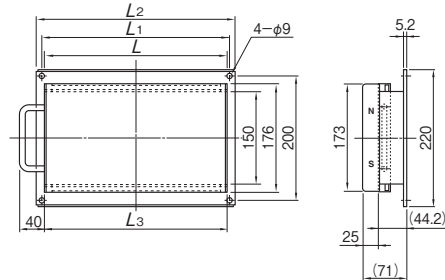


[Application]

These magnets are installed on chutes and hoppers to attract/collect magnetic substances.

[Features]

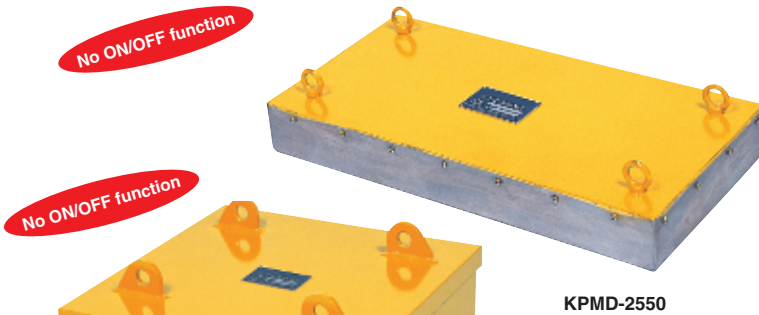
- Attracted magnetic substances can be released and cleaned off very easily by pulling out the iron-removal cover.



Model	Dimensions				Mass
	L	L ₁	L ₂	L ₃	
KPMF-C1530	300(11.8)	310(12.2)	330(12.9)	303(11.9)	Approx. 12.5kg/27.5 lb
KPMF-C1535	350(13.7)	360(14.1)	380(14.9)	353(13.9)	Approx. 14.5kg/31.9 lb
KPMF-C1540	400(15.7)	410(16.1)	430(16.9)	403(15.8)	Approx. 16.5kg/36.3 lb
KPMF-C1545	450(17.7)	460(18.1)	480(18.9)	453(17.8)	Approx. 19 kg/41.8 lb
KPMF-C1550	500(19.6)	510(20.0)	530(20.8)	503(19.8)	Approx. 21 kg/46.3 lb

※Surface max. magnetic flux density ... Magnet surface: 130 mT (1300 G) Cover surface: 100 mT (1000 G)

Model **KPM** SUSPENDED PLATE MAGNET



[Application]

These permanent magnets are suspended above a chute or conveyor belt to attract and separate magnetic substances such as small iron pieces and particles from raw materials in chemical, drug and other fine particle industries.

[Features]

- Powerful attractive force. Compact and robust.
- As a permanent magnet is used, no power source is required and these magnets can be used in any place.
- Very easy installation.



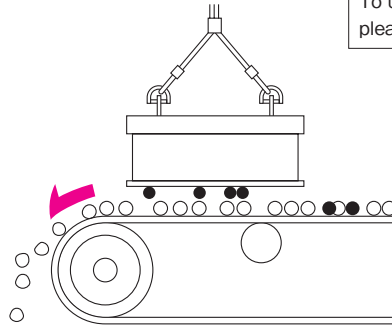
Precautions for use

To use these magnets in liquids (e.g. water) other than oil, please specify "enclosed type."

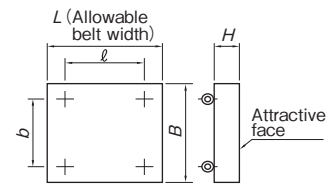
KPMJ-4040

Environmentally friendly

Removing iron in wood-processing plants for biomass power generation also!



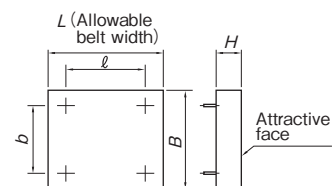
Model KPMD



<Suspended permanent magnet>

- Suspended above a chute of a conveyor belt to attract and remove iron pieces.
- Larger attraction distance than KPMF.
- Stainless steel (SUS304) surface.
- Eyebolts in four places. (M8 eyebolts on KPMD-25** and M10 eyebolts on KPMD-35**)

Model KPMJ



<Suspended permanent magnet>

- Suspended above a chute of a conveyor belt to attract and remove iron pieces.
- More powerful than KPMD.
- Stainless steel (SUS304) surface.
- Suspension hinges in four places. (Diameter = φ20)

Model KPMD

Model	Dimensions					Attraction Capacity (Distance)			Mass
	B	L	b	ℓ	H	15-cm nail	M10 nut	M10×25 bolt	
KPMD-2525	250 (9.84)	250(9.84)	170 (6.69)	170(6.69)	64 (2.52)	130-170 (5.11-6.69)	60-90 (2.36-3.54)	100-130 (3.93-5.11)	22kg/48.5 lb
KPMD-2530		300(11.8)		220(8.66)					27kg/59.5 lb
KPMD-2540		400(15.7)		320(12.6)					35kg/77.1 lb
KPMD-2550		500(19.6)		420(16.5)					44kg/97.0 lb
KPMD-2560		600(23.6)		520(20.4)					54kg/119.0 lb
KPMD-3530		300(11.8)		220(8.66)					49kg/108.0 lb
KPMD-3540	350 (13.7)	400(15.7)	270 (10.6)	320(12.6)	82 (3.22)	160-200 (6.29-7.87)	80-120 (3.15-4.72)	110-140 (4.33-5.51)	64kg/141.1 lb
KPMD-3550		500(19.6)		420(16.5)					80kg/176.4 lb
KPMD-3560		600(23.6)		520(20.4)					100kg/220.5 lb

Model KPMJ

KPMJ-3030	300(11.8)	300(11.8)	200(7.87)	200(7.87)	159(6.25)	180-250 (7.08-9.84)	120-160 (4.72-6.29)	82kg/180.7 lb
KPMJ-3040		400(15.7)		260(10.2)				112kg/246.9 lb
KPMJ-3050		500(19.6)		360(14.1)				150kg/330.6 lb
KPMJ-4040A	400(15.7)	400(15.7)	250(9.84)	250(9.84)	124(4.87)	300-400 (11.8-15.7)	150-200 (5.90-7.87)	90kg/198.4 lb
KPMJ-4060A		600(23.6)		380(14.9)				140kg/308.7 lb
KPMJ-4080A		800(31.5)		500(19.6)				185kg/407.9 lb
KPMJ-5065A		490(19.2)		650(25.5)				300(11.8)
KPMJ-6580A	650(25.5)	800(31.5)	400(15.7)	600(23.6)	159(6.25)	130-140 (5.11-5.51)	200-240 (7.87-9.44)	400kg/881.8 lb

※Larger sizes are available. Please contact us.