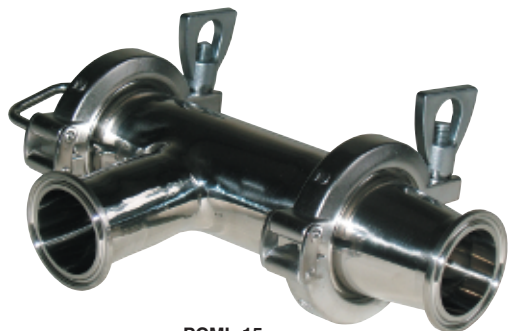
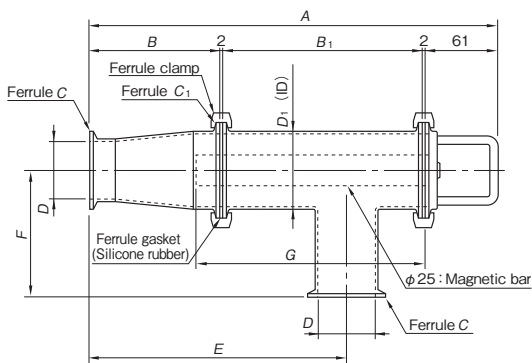


**Model PCML L-TYPE MAGNETIC FILTER FOR LIQUID**



PCML-15



**[Features]**

- Suitable for a small amount (flow rate) to process.
- Simple construction for easy overhaul and cleaning.
- Compact and light weight, requiring little installation space.
- An example of usage: Dairy products, ketchup, sausage, honey, chili oil, fermented soybean tare

**Powerful type**

[mm (in)]

Model	Surface Material	Surface Finish	Surface Max. Magnetic Flux Density	Working Temperature	Pressure Resistance	Dimensions							Mass			
						A	B	B <sub>1</sub>	C	C <sub>1</sub>	D	D <sub>1</sub>		E	F	G
PCML-10	SUS304	#400 buffed	0.8T (8000G) or over	Upper limit 80°C (176°F)	500kPa (5kgf/cm <sup>2</sup> )	259 (10.2)	55 (2.16)	139 (5.47)	1S	2S	23 (0.90)	47.8 (1.88)	139 (5.47)	72.5 (2.85)	152 (5.98)	Approx. 2.0kg/4.4 lb
PCML-15						343 (13.5)	110 (4.33)	168 (6.61)	1.5S	2S	35.7 (1.41)	59.5 (2.34)	217 (8.54)	85.5 (3.36)	192 (7.55)	
PCML-20						343 (13.5)	110 (4.33)	168 (6.61)	2S	2.5S	47.8 (1.88)	59.5 (2.34)	217 (8.54)	103.5 (4.07)	192 (7.55)	

**Heat-resistant powerful type**

[mm (in)]

Model	Surface Material	Surface Finish	Surface Max. Magnetic Flux Density	Working Temperature	Pressure Resistance	Dimensions							Mass			
						A	B	B <sub>1</sub>	C	C <sub>1</sub>	D	D <sub>1</sub>		E	F	G
PCML-T10	SUS304	#400 buffed	0.8T (8000G) or over	Upper limit 150°C (302°F)	500kPa (5kgf/cm <sup>2</sup> )	259 (10.2)	55 (2.16)	139 (5.47)	1S	2S	23 (0.90)	47.8 (1.88)	139 (5.47)	72.5 (2.85)	152 (5.98)	Approx. 2.0kg/4.4 lb
PCML-T15						343 (13.5)	110 (4.33)	168 (6.61)	1.5S	2S	35.7 (1.41)	59.5 (2.34)	217 (8.54)	85.5 (3.36)	192 (7.55)	
PCML-T20						343 (13.5)	110 (4.33)	168 (6.61)	2S	2.5S	47.8 (1.88)	59.5 (2.34)	217 (8.54)	103.5 (4.07)	192 (7.55)	

**Super powerful type**

[mm (in)]

Model	Surface Material	Surface Finish	Surface Max. Magnetic Flux Density	Working Temperature	Pressure Resistance	Dimensions							Mass			
						A	B	B <sub>1</sub>	C	C <sub>1</sub>	D	D <sub>1</sub>		E	F	G
PCML-A10	SUS304	#400 buffed	1T (10000G) or over	Upper limit 80°C (176°F)	500kPa (5kgf/cm <sup>2</sup> )	259 (10.2)	55 (2.16)	139 (5.47)	1S	2S	23 (0.90)	47.8 (1.88)	139 (5.47)	72.5 (2.85)	152 (5.98)	Approx. 2.0kg/4.4 lb
PCML-A15						343 (13.5)	110 (4.33)	168 (6.61)	1.5S	2S	35.7 (1.41)	59.5 (2.34)	217 (8.54)	85.5 (3.36)	192 (7.55)	
PCML-A20						343 (13.5)	110 (4.33)	168 (6.61)	2S	2.5S	47.8 (1.88)	59.5 (2.34)	217 (8.54)	103.5 (4.07)	192 (7.55)	

**Model PCML-S POWERFUL MAGNETIC FILTER FOR RESIN MOLDING**



PCML-15-S

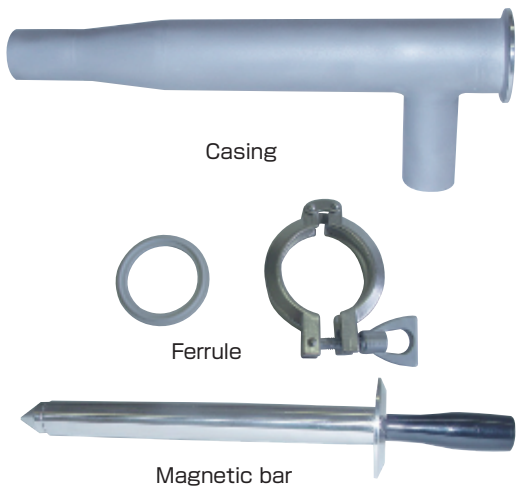
**[Application]**

Attracts and removes iron mixed in resin (powder, particles) by a strong permanent magnet.

**[Features]**

- Simple construction for easy overhaul and cleaning.
- Compact and light weight, requiring little installation space.
- A powerful magnet having a property value of 1.2 T (12,000 G) or over is incorporated and the surface maximum magnetic flux density is 0.8 T (8,000 G) or over attracts and removes iron mixed in resin.
- Since a permanent magnet that maintains a strong magnetic force almost perpetually is used, the running cost can be reduced significantly.

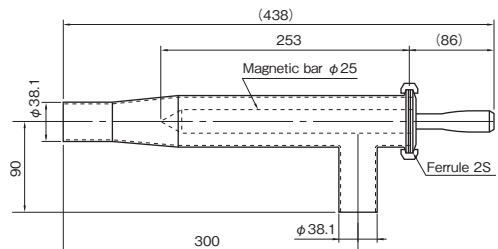
**An example of PCML special fabrication**



Casing

Ferrule

Magnetic bar



Model	Surface Material	Surface Finish		Surface Max. Magnetic Flux Density	Working Temperature	Mass
		Magnetic bar	Casing			
PCML-15-S	SUS304	#200 buffed	Inside: #200 buffed Outside: Pickled	0.8 T (8000 G) or over	Upper limit 80°C (176°F)	Approx. 2kg/4.4 lb

MAGNETIC TOOLS & EQUIPMENT  
FORMING OPERATION

LIFTING  
MAGNET

MAGBONE

CHIP & SLUDGE  
CONVEYANCE EQUIPMENT

ENVIRONMENTAL  
EQUIPMENT

MAGNETIZER AND  
DEMAGNETIZER

MAGNETIC EQUIPMENT  
FOR CONVEYANCE

MAGNETIC  
SEPARATORS

POWERFUL MAGNETIC  
SEPARATORS

MEASURING  
TOOLS

MEASURING  
INSTRUMENTS

MAGNETIC  
MATERIALS

MAGNETIC  
MATERIALS

MAGNETIC  
MATERIALS